

DMS Wireless

5150-5850 MHz 90° X-POL

Electrical Data

Frequency:	5150-5850 MHz
Gain:	17 dBi
VSWR:	<1.5:1
Polarization:	±45°
Horizontal Beamwidth:	90°
Vertical Beamwidth:	7°
Electrical downtilt:	0°
Sidelobe suppression :	>25dB
(First sidelobe above main beam)	
Front-to-back ratio :	>23dB
Isolation:	>30dB
Cross-polar ratio:	>15dB (±60°≥10)
Intermodulation IM3:	>-150dBc
(2×43dBm carrier)	
Impedance:	50 Ohms
Max Input Power:	100W
Lightning Protection:	DC Ground

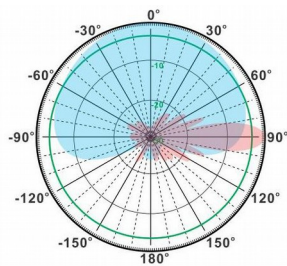
Mechanical Data

Connector :	2*N Female
Connector position:	Bottom
Dimensions:	450*120*70mm
length*width*height	/17.7*4.7*2.8in
Weight:	2.5kg/5.5lb
Reflector Material:	Aluminum Alloy
Radome Material:	UV Resistance PVC
Mounting Method:	Mast
Mast Size:	Ø40-Ø70mm
Rated Wind Velocity:	210km/h
Operating temperature:	-40~+65℃

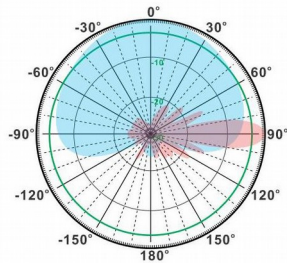
Shipment Data

Packing Qty:	1pc/Carton
Carton Size:	490*160*115mm
(length*width*height)	/19.3*6.3*4.5in
Packing Weight:	2.9kg/6.4lb

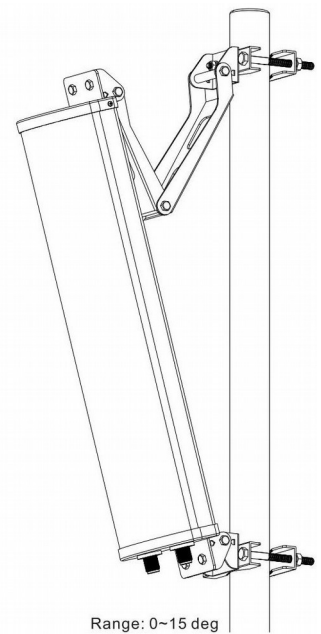
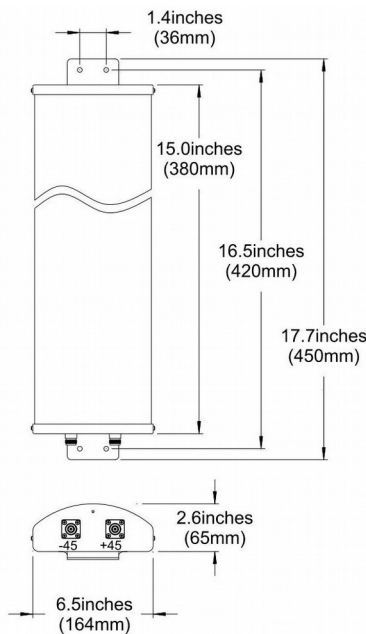
PA5150-5850-90-17X



H-Plane



V-Plane



Range: 0~15 deg

Email: sales@dmswireless.com
www.dmswireless.com

Notice: Specifications are subject to change without notice.
 Images may not reflect the actual product.