

DMS Wireless

1920-2170 MHz 40° V-POL

Electrical Data

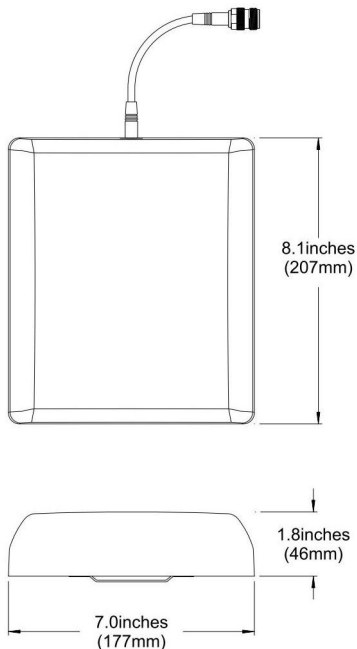
Frequency:	1920-2170 MHz
Gain:	13 dBi
VSWR:	<1.5:1
Polarization:	Vertical
Horizontal Beamwidth :	40°
Vertical Beamwidth:	40°
Nominal Impedance:	50 Ohms
F/B Ratio:	>20 dB
Max Input Power:	100 W
Lightning Protection:	DC Ground

Mechanical Data

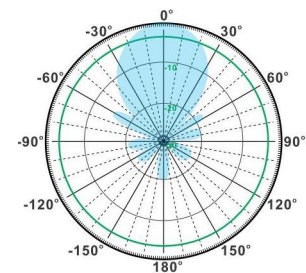
Connector :	N Female
Dimensions:	210*180*45mm
length*width*height	/8.27*7.08*1.77in
Weight:	0.54kg/1.19lb
Reflector Material:	Aluminum Alloy
Radome Material:	Weatherproof ABS
Mounting Method:	Mast Or Wall Mount
Mast Size:	Ø30-Ø50mm
Rated Wind Velocity:	210km/h
Operating temperature:	-40~+65°C

Shipment Data

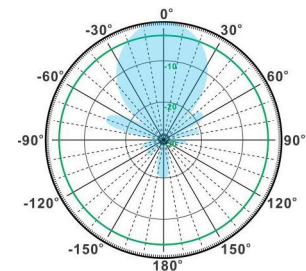
Packing Qty:	20pcs/Carton
Carton Size:	535*325*415mm
(length*width*height)	/21.06*12.8*16.33in
Packing Weight:	11.7kg/25.77lb



PA1920-2170-40-13V



H-Plane



V-Plane

Email: sales@dmswireless.com
www.dmswireless.com

Notice: Specifications are subject to change without notice.
Images may not reflect the actual product.