

DMS Wireless

2400-2500/5150-5850 MHZ 40° V-Pol

Electrical Data

Frequency:	2400-2500 MHz	5150-5850 MHz
Gain:	5 dBi	6 dBi
VSWR:	<2.0:1	<2.5:1
Polarization:	Vertical	Vertical
Horizontal Beamwidth :	360°	360°
Vertical Beamwidth:	52°	40°
Nominal Impedance:	50 Ohms	50Ω
Isolation:	>20 dB	>20 dB
Max Input Power:	100 W	100W
Lightning Protection:	DC Ground	DC Ground

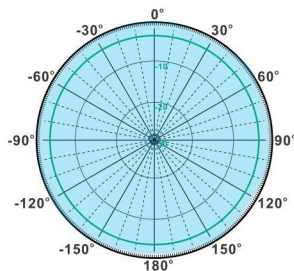
Mechanical Data

Connector :	3*N Female
Dimensions:	Ø150*60mm
diameter*length	Ø5.91*2.36in
Weight:	0.25kg/0.55lb
Cable Length:	3*170mm
Reflector Material:	Aluminum Alloy
Radome Material:	Weatherproof ABS
Mounting Method:	Fit with nut
Rated Wind Velocity:	210km/h
Operating temperature:	-40~+65°C

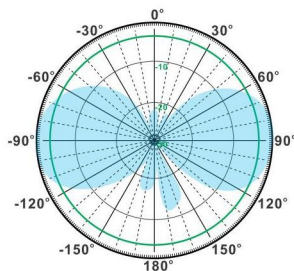
Shipment Data

Packing Qty:	20pcs/Carton
Carton Size:	850*350*310mm
(length*width*height)	33.5*13.8*12.2in
Packing Weight:	6kg/13.22lb

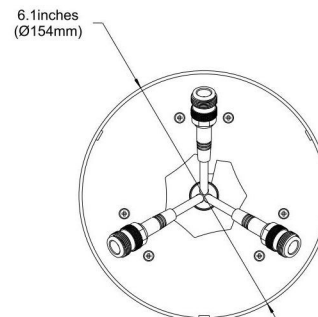
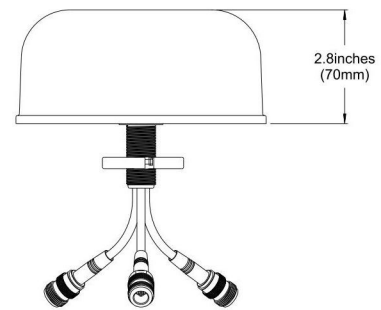
CA2400-5850-40-5V



H-Plane



V-Plane



Email: sales@dmswireless.com
www.dmswireless.com

Notice: Specifications are subject to change without notice.
Images may not reflect the actual product.