

DMS Wireless

806-960/1710-2700 MHz 90° HV-POL

Electrical Data

Frequency:	806-960MHz	1710-2700MHz
Gain:	10 dBi	10.5 dBi
VSWR:	<2.0:1	
Polarization:	Horizontal and Vertical	
Horizontal Beamwidth:	90°	80°
Vertical Beamwidth:	30°	28°
Electrical downtilt:	0°	
Sidelobe suppression :	>15dB	
(First sidelobe above main beam)		
Front-to-back ratio :	>12dB	
Isolation:	>30dB	
Cross-polar ratio:	>20dB ($\pm 60^\circ \geq 10$)	
Intermodulation IM3:	>-150dBc	
(2x43dBm carrier)		
Impedance:	50 Ohms	
Max Input Power:	100W	
Lightning Protection:	DC Ground	

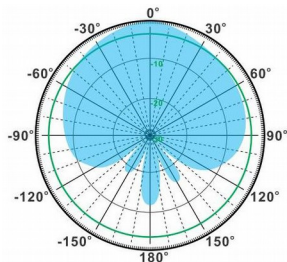
Mechanical Data

Connector :	2*N Female
Connector position:	Bottom
Dimensions:	800*180*90mm
length*width*height	11.8*7.0*3.5in
Weight:	4kg/8.8lb
Reflector Material:	Aluminum Alloy
Radome Material:	UV Resistance PVC
Mounting Method:	Mast
Mast Size:	Ø40-Ø70mm
Rated Wind Velocity:	210km/h
Operating temperature:	-40~+65°C

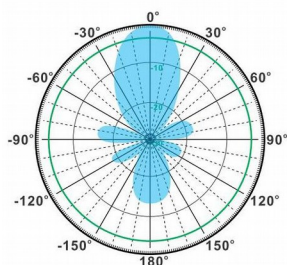
Shipment Data

Packing Qty:	1pc/Carton
Carton Size:	850*200*110mm
(length*width*height)	33.5*7.9*4.3in
Packing Weight:	4.5kg/9.9lb

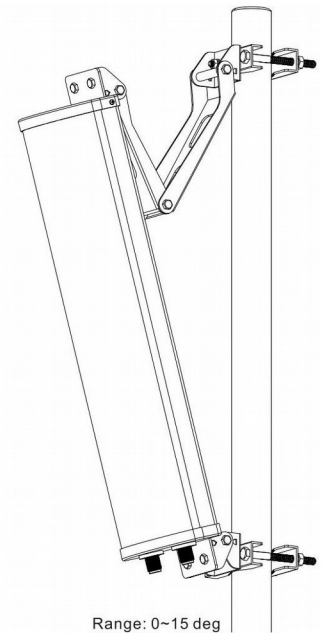
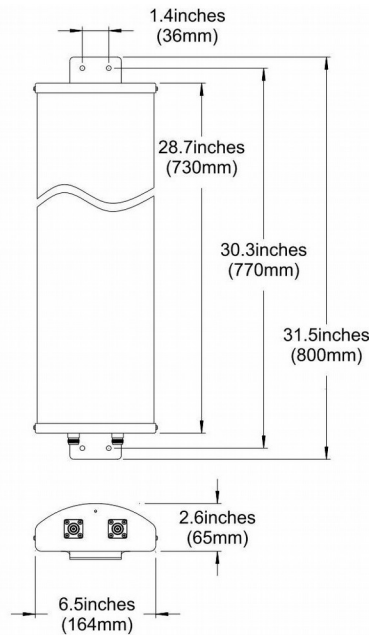
PA806-2700-90-10HV



806-960MHz Radiation patterns



1710-2700MHz Radiation patterns



Email: sales@dmswireless.com
www.dmswireless.com

Notice: Specifications are subject to change without notice.
 Images may not reflect the actual product.