

# DMS Wireless

**710-746 MHz 120° H-POL**

## Electrical Data

Frequency:	710-746 MHz
Gain:	15 dBi
VSWR:	<2.0:1
Polarization:	Horizontal
Horizontal Beamwidth :	120°
Vertical Beamwidth:	7.2°
Nominal Impedance:	50 Ohms
F/B Ratio:	>15 dB
Max Input Power:	250 W
Lightning Protection:	DC Ground

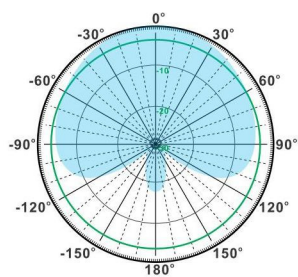
## Mechanical Data

Connector :	N Female
Dimensions:	2966*265*80mm
length*width*height	/116.8*10.4*3.2in
Weight:	20.6kg/45.3lb
Reflector Material:	Aluminum Alloy
Mounting Method:	Mast
Mast Size:	Ø50-Ø90mm
Rated Wind Velocity:	210km/h
Operating temperature:	-40~+65°C

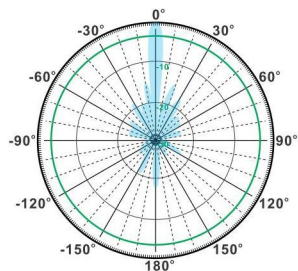
## Shipment Data

Packing Qty:	1pc/Carton
Carton Size:	3080*140*330mm
(length*width*height)	/121.3*5.5*13.0in
Packing Weight:	18.6kg/40.9lb
Kit Size:	375*340*205mm
(length*width*height)	/14.8*13.4*8.1in
Kit Weight:	5.8kg/12.76lb

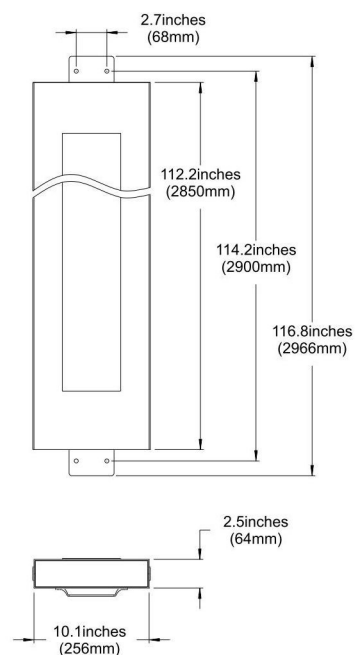
## PA710-746-120-15H



H-Plane



V-Plane



Email: [sales@dmswireless.com](mailto:sales@dmswireless.com)  
[www.dmswireless.com](http://www.dmswireless.com)

Notice: Specifications are subject to change without notice.  
Images may not reflect the actual product.