

# DMS Wireless

900-930 MHz 180° H-POL

## Electrical Data

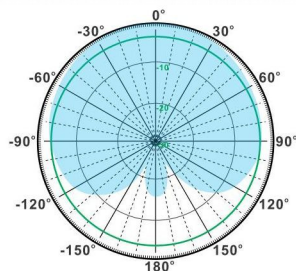
Frequency:	900-930 MHz
Gain:	14 dBi
VSWR:	<2.0:1
Polarization:	Horizontal
Horizontal Beamwidth :	180°
Vertical Beamwidth:	7.2°
Nominal Impedance:	50 Ohms
F/B Ratio:	>15 dB
Max Input Power:	250 W

## Mechanical Data

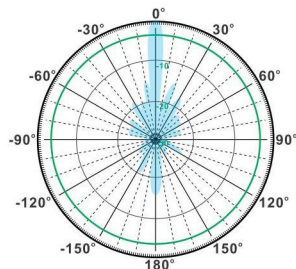
Connector :	N Female
Dimensions:	3050*280*70mm
length*width*height	/120.1*11.0*2.8in
Weight:	15kg/33.0lb
Reflector Material:	Aluminum Alloy
Mounting Method:	Mast
Mast Size:	Ø50-Ø90mm
Rated Wind Velocity:	210km/h
Operating temperature:	-40~+65°C

## Shipment Data

Packing Qty:	1pc/Carton
Carton Size:	3100*130*350mm
(length*width*height)	/122.1*5.1*13.8in
Packing Weight:	17.9kg/39.4lb
Kit Size:	375*340*205mm
(length*width*height)	/14.8*13.4*8.1in
Kit Weight:	5.8kg/12.78lb

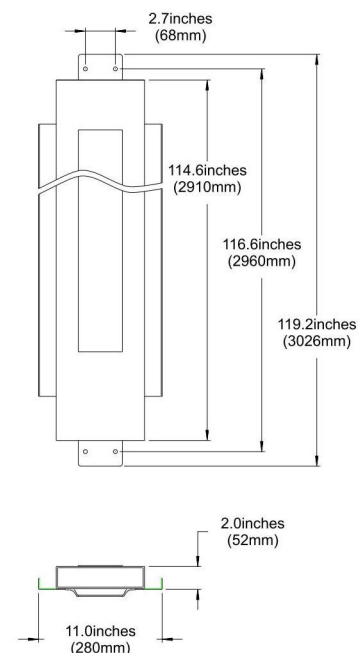


H-Plane



V-Plane

## PA900-930-180-14H



Email: [sales@dmswireless.com](mailto:sales@dmswireless.com)  
[www.dmswireless.com](http://www.dmswireless.com)

Notice: Specifications are subject to change without notice.  
Images may not reflect the actual product.