

DMS Wireless

2300-2500 MHz H-POL or V-POL

Electrical Data

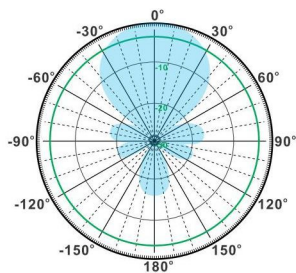
Frequency:	2300-2500 MHz
Gain:	10 dBi
VSWR:	<1.5:1
Polarization:	Horizontal or Vertical
Horizontal Beamwidth :	55°
Vertical Beamwidth:	50°
Nominal Impedance:	50 Ohms
F/B Ratio:	>16 dB
Max Input Power:	100 W
Lightning Protection:	DC Ground

Mechanical Data

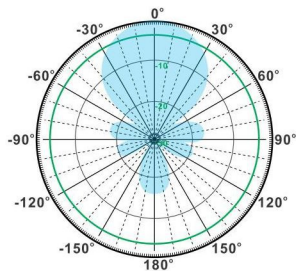
Connector :	N Female
Dimensions:	150*120*55mm
(length*width*height)	/5.9*4.7*2.2in
Weight:	0.4kg/0.8lb
Cable Length:	300mm/11.8in
Reflector Material:	Aluminum Alloy
Radome Material:	Weatherproof ABS
Mounting Method:	Mast Or Wall Mount
Mast Size:	Ø40-Ø50mm
Rated Wind Velocity:	210km/h
Operating temperature:	-40~+65℃

Shipment Data

Packing Qty:	20pcs/Carton
Carton Size:	410*360*270mm
(length*width*height)	16.1*14.2*10.6in
Packing Weight:	8.8kg/19.4lb

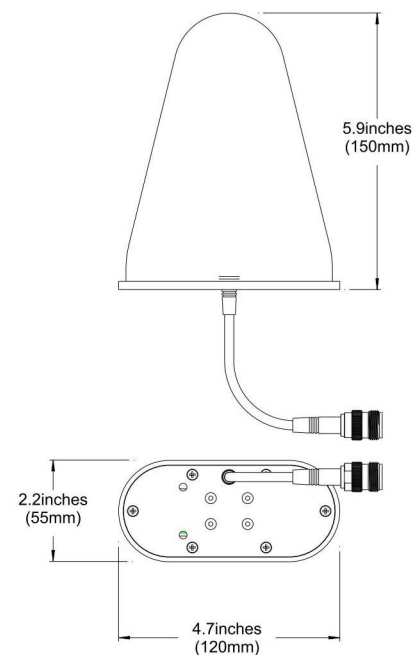


H-Plane



V-Plane

YAR2300-2500-10HV



Email: sales@dmswireless.com
www.dmswireless.com

Notice: Specifications are subject to change without notice.
Images may not reflect the actual product.