

# DMS Wireless

824-896 MHz V-POL

## Electrical Data

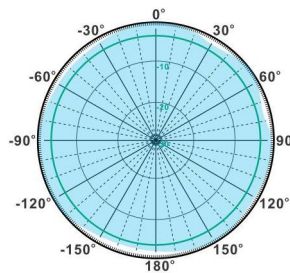
Frequency:	824-896 MHz
Gain:	11 dBi
VSWR:	<1.5:1
Polarization:	Vertical
Horizontal Beamwidth :	360°
Vertical Beamwidth:	8.2°
Nominal Impedance:	50 Ohms
Max Input Power:	250W
Lightning Protection:	DC Ground

## Mechanical Data

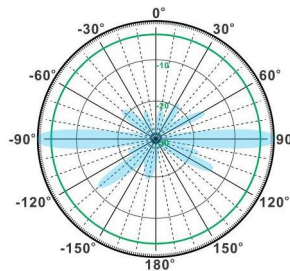
Connector :	N Female
Dimensions:	Ø50*2900mm
(diameter*length)	Ø1.97*114.2in
Weight:	4.0kg/8.8lb
Reflector Material:	Brass
Radome Material:	Fiberglass
Mounting Method:	Mast
Mast Size:	Ø50-Ø80mm
Rated Wind Velocity:	210km/h
Operating temperature:	-40~+65°C

## Shipment Data

Packing Qty:	1 pcs/Carton
Carton Size:	130*90*2990mm
(length*width*height)	5.1*3.5*117.7in
Packing Weight:	4.5kg/9.9lb

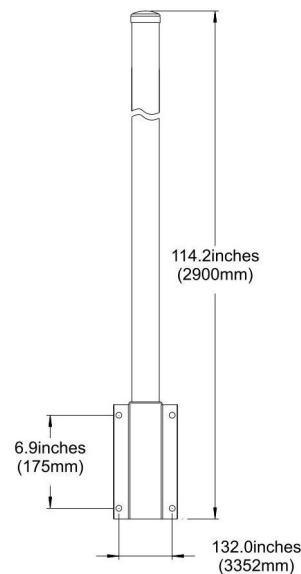


H-Plane



V-Plane

## OM824-896-11V



Email: [sales@dmswireless.com](mailto:sales@dmswireless.com)  
[www.dmswireless.com](http://www.dmswireless.com)

Notice: Specifications are subject to change without notice.  
Images may not reflect the actual product.