

# DMS Wireless

1710-1880/1850-1990/1920-2170 MHz 90° X-POL

PA1710-2170-90-16.5X

## Electrical Data

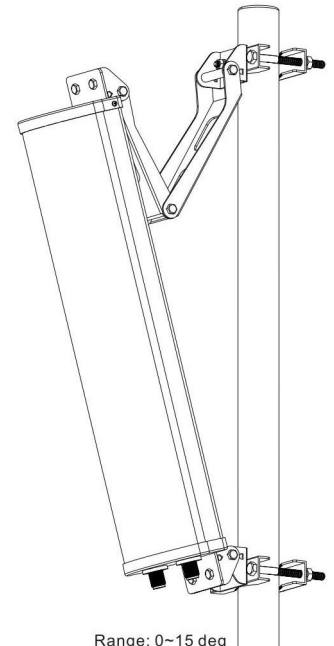
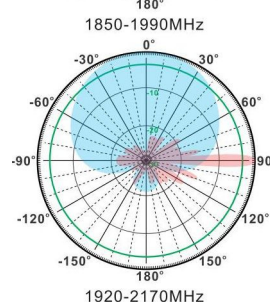
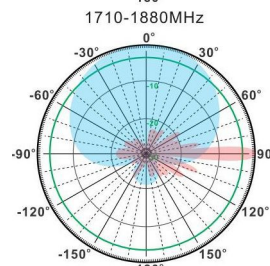
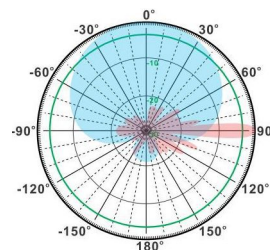
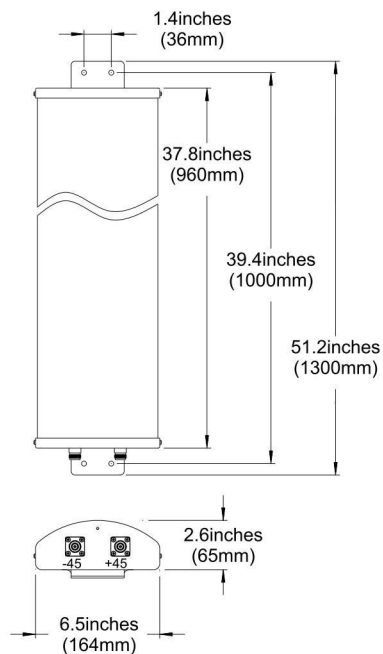
Frequency:	1710-1880/1850-1990/1920-2170 MHz
Gain:	16.5 dBi
VSWR:	<1.5:1
Polarization:	±45°
Horizontal Beamwidth:	90°
Vertical Beamwidth:	6°
Electrical downtilt:	0°
Sidelobe suppression :	>15dB
(First sidelobe above main beam)	
Front-to-back ratio :	>25dB
Isolation:	>30dB
Cross-polar ratio:	>15dB (±60°≥10)
Intermodulation IM3:	>-150dBc
(2×43dBm carrier)	
Impedance:	50 Ohms
Max Input Power:	100W
Lightning Protection:	DC Ground

## Mechanical Data

Connector :	2*N Female
Connector position:	Bottom
Dimensions:	1300*165*70mm
length*width*height	/51.2*6.5*2.8in
Weight:	8kg/17.6lb
Reflector Material:	Aluminum Alloy
Radome Material:	UV Resistance PVC
Mounting Method:	Mast
Mast Size:	Ø40-Ø70mm
Rated Wind Velocity:	210km/h
Operating temperature:	-40~+65°C

## Shipment Data

Packing Qty:	1pc/Carlton
Carlton Size:	1790*220*135mm
(length*width*height)	70.5*8.7*5.3in
Packing Weight:	9kg/19.8lb



Email: [sales@dmswireless.com](mailto:sales@dmswireless.com)  
[www.dmswireless.com](http://www.dmswireless.com)

Notice: Specifications are subject to change without notice.  
 Images may not reflect the actual product.