

# DMS Wireless

**2400-2483 MHz 120° V-POL**

## Electrical Data

Frequency:	2400-2483 MHz
Gain:	15 dBi
VSWR:	<1.5:1
Polarization:	Vertical
Horizontal Beamwidth :	120°
Vertical Beamwidth:	8°
Nominal Impedance:	50 Ohms
F/B Ratio:	>20 dB
Max Input Power:	100 W
Lightning Protection:	DC Ground

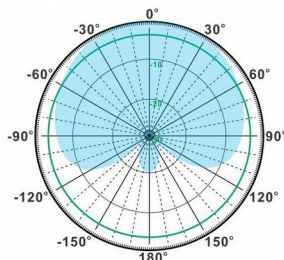
## Mechanical Data

Connector :	N Female
Dimensions:	1045*165*70mm
length*width*height	/41.2*6.5*2.8in
Weight:	4.1kg/9.0lb
Reflector Material:	Aluminum Alloy
Radome Material:	UV Resistance PVC
Mounting Method:	Mast
Mast Size:	Ø40-Ø70mm
Rated Wind Velocity:	210km/h
Operating temperature:	-40~+65°C

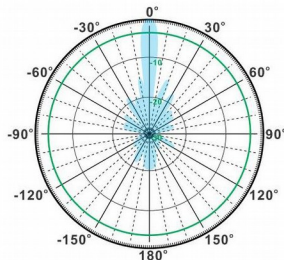
## Shipment Data

Packing Qty:	1pc/Carton
Carton Size:	1310*200*110mm
(length*width*height)	/51.6*7.9*4.3in
Packing Weight:	5kg/11lb

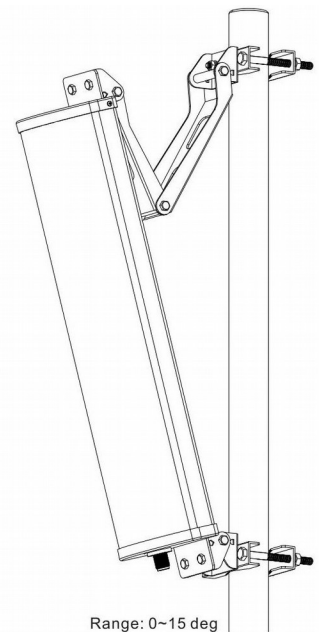
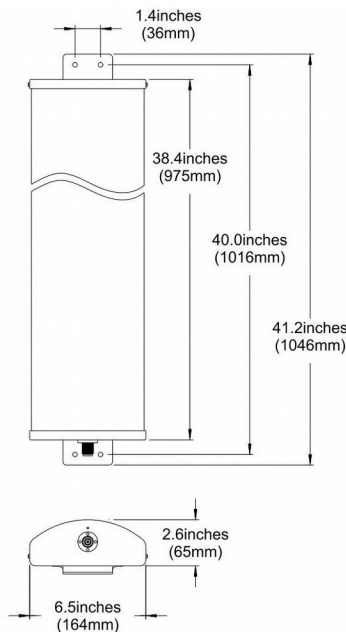
**PA2400-2483-120-15V**



H-Plane



V-Plane



Range: 0~15 deg

Email: [sales@dmswireless.com](mailto:sales@dmswireless.com)  
[www.dmswireless.com](http://www.dmswireless.com)

Notice: Specifications are subject to change without notice.  
 Images may not reflect the actual product.