

DMS Wireless

3700-4200 MHz 30° V-POL

Electrical Data

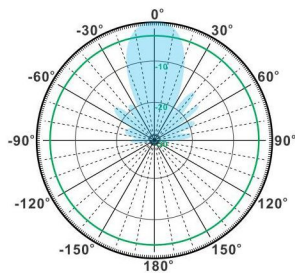
Frequency:	3700-4200 MHz
Gain:	17 dBi
VSWR:	<1.5:1
Polarization:	Vertical
Horizontal Beamwidth :	30°
Vertical Beamwidth:	13.2°
Nominal Impedance:	50 Ohms
F/B Ratio:	>30 dB
Max Input Power:	100 W
Lightning Protection:	DC Ground

Mechanical Data

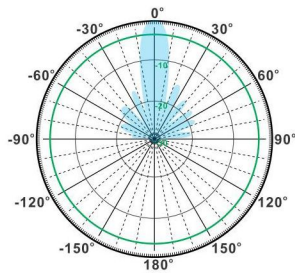
Connector :	N Female
Dimensions:	325*180*90mm
length*width*height	/12.8*7.1*3.5in
Weight:	2kg/4.4lb
Reflector Material:	Aluminum Alloy
Radome Material:	UV Resistance PVC
Mounting Method:	Mast
Mast Size:	Ø40-Ø50mm
Rated Wind Velocity:	210km/h
Operating temperature:	-40~+65°C

Shipment Data

Packing Qty:	1 pc/Carton
Carton Size:	415*220*135mm
(length*width*height)	/16.3*8.7*5.3in
Packing Weight:	2.6kg/5.7lb

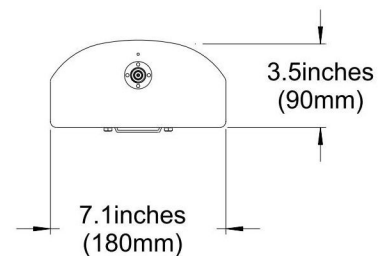
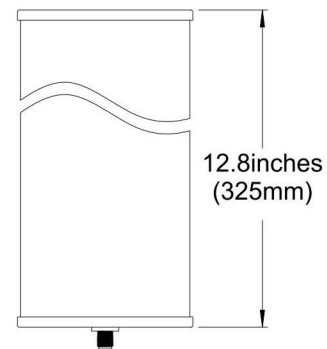


H-Plane



V-Plane

PA3700-4200-30-17V



Email: sales@dmswireless.com
www.dmswireless.com

Notice: Specifications are subject to change without notice.
Images may not reflect the actual product.