

DMS Wireless

2400-2500/5150-5850 MHZ 43° V-Pol

Electrical Data

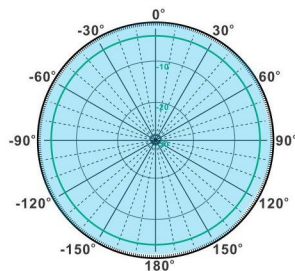
| | | |
|------------------------|---------------|---------------|
| Frequency: | 2400-2500 MHz | 5150-5850 MHz |
| Gain: | 3 dBi | 4 dBi |
| VSWR: | <2.0:1 | <2.5:1 |
| Polarization: | Vertical | Vertical |
| Horizontal Beamwidth : | 360° | 360° |
| Vertical Beamwidth: | 56° | 43° |
| Nominal Impedance: | 50 Ohms | 50Ω |
| Isolation: | >20 dB | >20 dB |
| Max Input Power: | 100 W | 100W |
| Lightning Protection: | DC Ground | DC Ground |

Mechanical Data

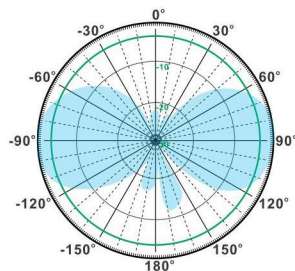
| | |
|------------------------|------------------|
| Connector : | 6*N Female |
| Dimensions: | Ø150*60mm |
| diameter*length | Ø5.91*2.36in |
| Weight: | 0.25kg/0.55lb |
| Cable Length: | 6*460mm |
| Reflector Material: | Aluminum Alloy |
| Radome Material: | Weatherproof ABS |
| Mounting Method: | Fit with nut |
| Rated Wind Velocity: | 210km/h |
| Operating temperature: | -40~+65°C |

Shipment Data

| | |
|-----------------------|------------------|
| Packing Qty: | 20pcs/Carton |
| Carton Size: | 850*350*310mm |
| (length*width*height) | 33.5*13.8*12.2in |
| Packing Weight: | 6kg/13.22lb |

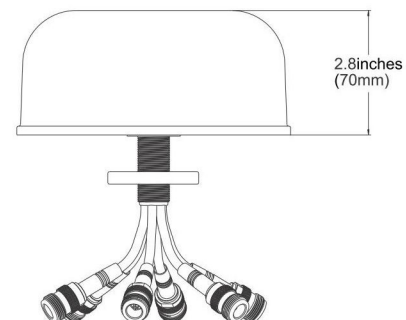
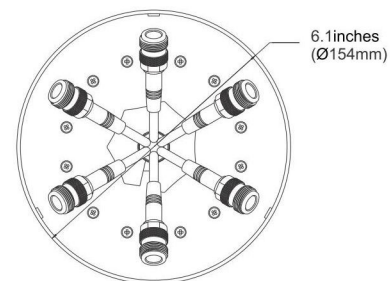


H-Plane



V-Plane

CA2400-5850-43-3V-6N



Email: sales@dmswireless.com
www.dmswireless.com

Notice: Specifications are subject to change without notice.
 Images may not reflect the actual product.