

806-960 MHz 65° X-POL

PA806-960-65-18X

Electrical Data

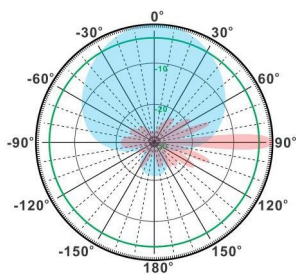
Frequency:	806-960 MHz
Gain:	18 dBi
VSWR:	<1.5:1
Polarization:	±45°
Horizontal Beamwidth:	65°
Vertical Beamwidth:	7°
Electrical downtilt:	0°
Sidelobe suppression :	>15dB
(First sidelobe above main beam)	
Front-to-back ratio :	>25dB
Isolation:	>30dB
Cross-polar ratio:	>15dB ($\pm 60^\circ \geq 10$)
Intermodulation IM3:	>-150dBc
[2x43dBm carrier]	
Impedance:	50 Ohms
Max Input Power:	100W
Lightning Protection:	DC Ground

Mechanical Data

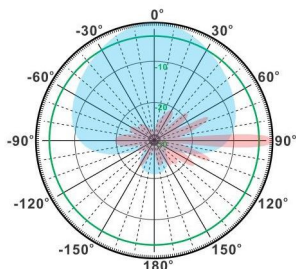
Connector :	2*N Female
Connector position:	Bottom
Dimensions:	2400*271*147mm
length*width*height	/94.5*10.7*5.8in
Weight:	12kg/26.4lb
Reflector Material:	Aluminum Alloy
Radome Material:	UV Resistance PVC
Mounting Method:	Mast
Mast Size:	Ø50-Ø90mm
Rated Wind Velocity:	210km/h
Operating temperature:	-40~+65°C

Shipment Data

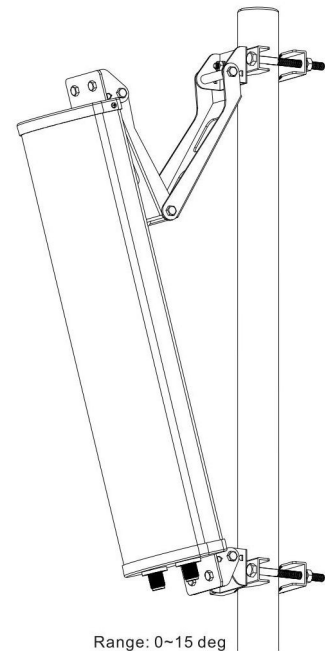
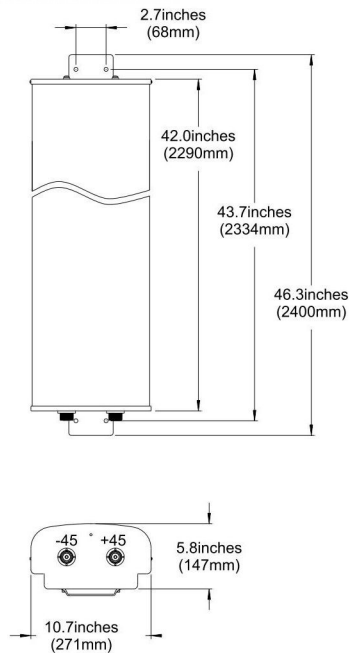
Packing Qty:	1pc/Carlton
Carton Size:	3080*330*195mm
(length*width*height)	121.3*13.0*7.7in
Packing Weight:	14kg/30.8lb



H-Plane



V-Plane



Email: sales@dmswireless.com
www.dmswireless.com

Notice: Specifications are subject to change without notice.
 Images may not reflect the actual product.