

DMS Wireless

2400-2483 MHz 135° V-POL

Electrical Data

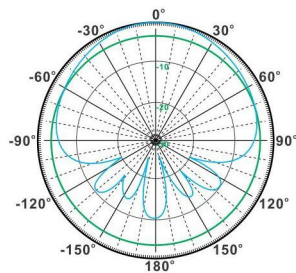
Frequency:	2400-2483 MHz
Gain:	5 dBi
VSWR:	<1.5:1
Polarization:	Vertical
Horizontal Beamwidth :	135°
Vertical Beamwidth:	55°
Nominal Impedance:	50 Ohms
F/B Ratio:	>10 dB
Max Input Power:	50 W
Lightning Protection:	DC Ground

Mechanical Data

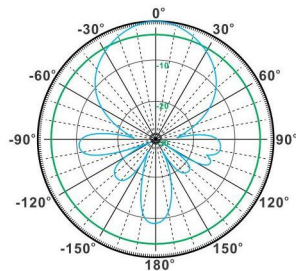
Connector :	N Female
Dimensions:	150*120*55mm
length*width*height	/5.9*4.7*2.2in
Weight:	0.4kg/0.9lb
Reflector Material:	Aluminum Alloy
Radome Material:	Weatherproof ABS
Mounting Method:	Wall Mount
Rated Wind Velocity:	210km/h
Operating temperature:	-40~+65℃

Shipment Data

Packing Qty:	20pcs/Carton
Carton Size:	410*320*270mm
(length*width*height)	/16.1*12.6*10.6in
Packing Weight:	10.5kg/23.1lb

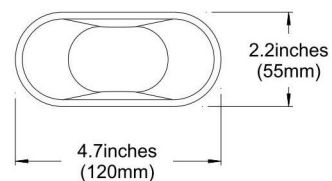
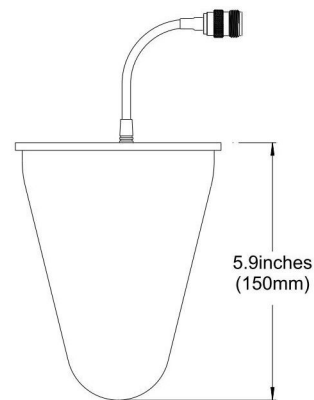


H-Plane



V-Plane

PA2400-2483-135-5V



Email: sales@dmswireless.com
www.dmswireless.com

Notice: Specifications are subject to change without notice.
Images may not reflect the actual product.