

DMS Wireless

2300-2600/4900-5850 MHz V- POL

Electrical Data

Frequency:	2300-2600 MHz	4900-5850 MHz
Gain:	3 dBi	5 dBi
VSWR:	<2.0:1	<2.0:1
Polarization:	Vertical	Vertical
Horizontal Beamwidth :	360°	360°
Vertical Beamwidth:	51°	42°
Nominal Impedance:	50 Ohms	50 Ohms
Max Input Power:	100 W	100 W
Lightning Protection:	DC Ground	DC Ground

Mechanical Data

Connector :	N Female
Dimensions:	Ø120*45mm
(diameter*length)	Ø4.72*1.77in
Weight:	0.25kg/0.55lb
Cable Length:	280mm
Reflector Material:	Aluminum Alloy
Radome Material:	Weatherproof ABS
Mounting Method:	Fit with nut
Rated Wind Velocity:	210km/h
Operating temperature:	-40~+65°C

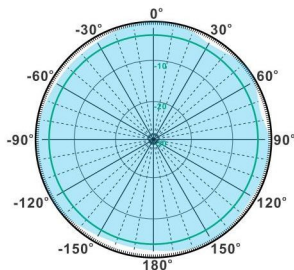
Shipment Data

Packing Qty:	20pcs/Carton
Carton Size:	670*270*280mm
(length*width*height)	26.4*10.6*11.0in
Packing Weight:	6kg/13.22lb

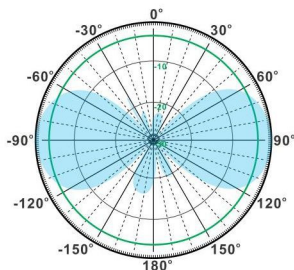
CA2300-5850-3V



2300-2600 MHz

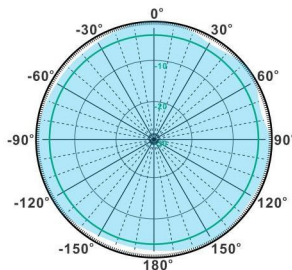


H-Plane

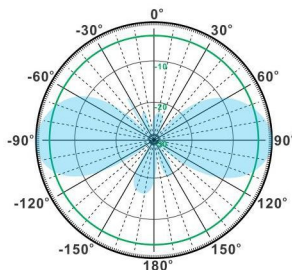


V-Plane

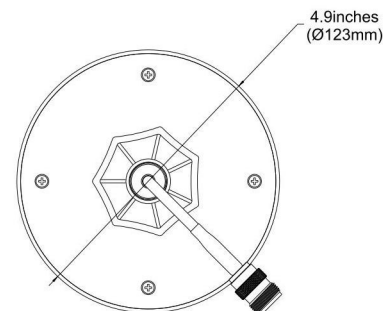
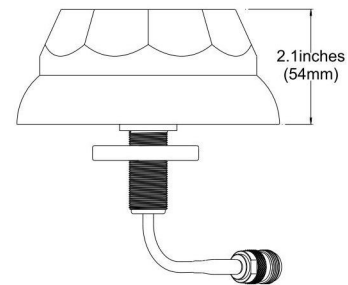
4900-5850 MHz



H-Plane



V-Plane



Email: sales@dmswireless.com
www.dmswireless.com

Notice: Specifications are subject to change without notice.
 Images may not reflect the actual product.