

DMS Wireless

2400-2483 MHz H-POL or V-POL

Electrical Data

Frequency:	2400-2483 MHz
Gain:	10 dBi
VSWR:	<1.5:1
Polarization:	Horizontal or Vertical
Horizontal Beamwidth :	52°
Vertical Beamwidth:	43°
Nominal Impedance:	50 Ohms
F/B Ratio:	>14 dB
Max Input Power:	100 W
Lightning Protection:	DC Ground

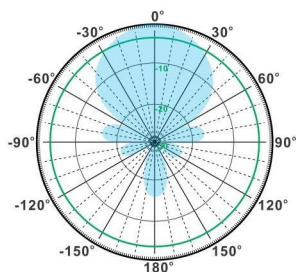
Mechanical Data

Connector :	N Female
Dimensions:	320mm/12.6in
Weight:	0.3kg/0.6lb
Cable Length:	240mm/9.5in
Reflector Material:	Aluminum Alloy
Mounting Method:	Mast
Mast Size:	Ø40-Ø50mm
Rated Wind Velocity:	210km/h
Operating temperature:	-40~+65°C

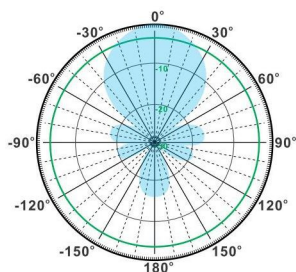
Shipment Data

Packing Qty:	40pcs/Carton
Carton Size:	730*345*260mm
(length*width*height)	/28.7*13.6*10.2in
Packing Weight:	12.5kg/27.5lb

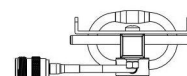
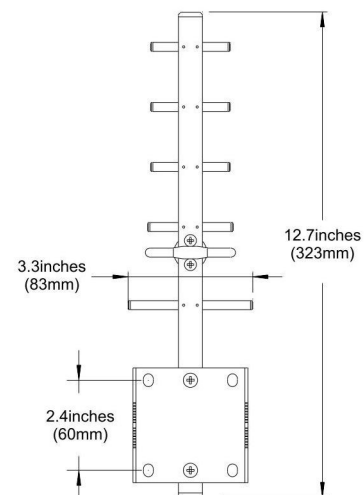
YA2400-2483-10HV-6E



H-Plane



V-Plane



Email: sales@dmswireless.com
www.dmswireless.com

Notice: Specifications are subject to change without notice.
Images may not reflect the actual product.