

900-930 MHz 90° H-POL

Electrical Data

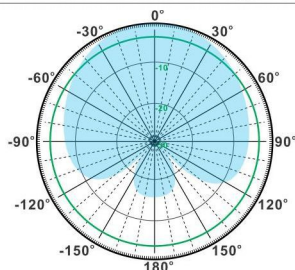
Frequency:	900-930 MHz
Gain:	16 dBi
VSWR:	<2.0:1
Polarization:	Horizontal
Horizontal Beamwidth :	90°
Vertical Beamwidth:	8°
Nominal Impedance:	50 Ohms
F/B Ratio:	>15 dB
Max Input Power:	250 W

Mechanical Data

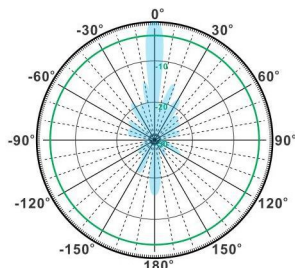
Connector :	N Female
Dimensions:	3026*210*80mm
length*width*height	/119.2*8.27*3.1in
Weight:	13.8kg/30.4lb
Reflector Material:	Aluminum Alloy
Mounting Method:	Mast
Mast Size:	Ø40-Ø90mm
Rated Wind Velocity:	210km/h
Operating temperature:	-40~+65°C

Shipment Data

Packing Qty:	1pc/Carton
Carton Size:	3100*130*270mm
(length*width*height)	/122.1*5.1*10.6in
Packing Weight:	15.2kg/33.5lb
Kit Size:	375*340*205mm
(length*width*height)	/14.8*13.4*8.1in
Kit Weight:	5.8kg/12.78lb

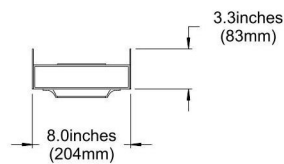
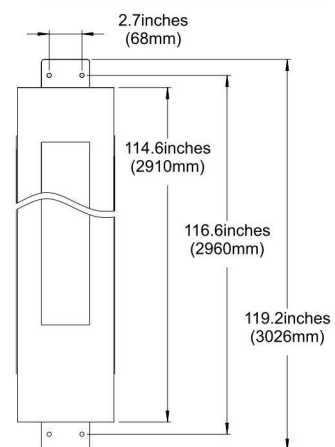


H-Plane



V-Plane

PA900-930-90-16H



Email: sales@dmswireless.com
www.dmswireless.com

Notice: Specifications are subject to change without notice.
 Images may not reflect the actual product.