

DMS Wireless

5150-5850 MHz 90° XX-POL

PA5150-5850-90-17XX

Electrical Data

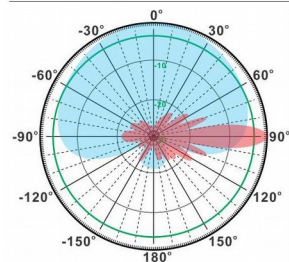
Frequency:	5150-5850 MHz
Gain:	17 dBi
VSWR:	<1.5:1
Polarization:	±45°
Horizontal Beamwidth:	90°
Vertical Beamwidth:	7°
Electrical downtilt:	0°
Sidelobe suppression :	>15dB
(First sidelobe above main beam)	
Front-to-back ratio :	>25dB
Isolation:	>30dB
Cross-polar ratio:	>15dB (±60°≥10)
Intermodulation IM3:	>-150dBc
(2×43dBm carrier)	
Impedance:	50 Ohms
Max Input Power:	100W
Lightning Protection:	DC Ground

Mechanical Data

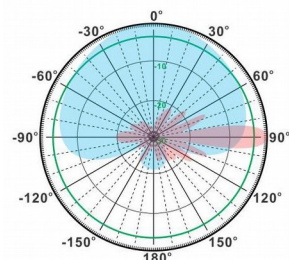
Connector :	4*N Female
Connector position:	Bottom
Dimensions:	500*180*90mm
length*width*height	/19.69*7.1*3.5in
Weight:	2.3kg/9.91lb
Reflector Material:	Aluminum Alloy
Radome Material:	UV Resistance PVC
Mounting Method:	Mast
Mast Size:	Ø40-Ø70mm
Rated Wind Velocity:	210km/h
Operating temperature:	-40~+65°C

Shipment Data

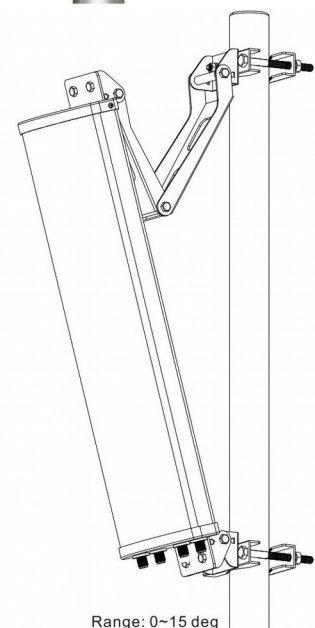
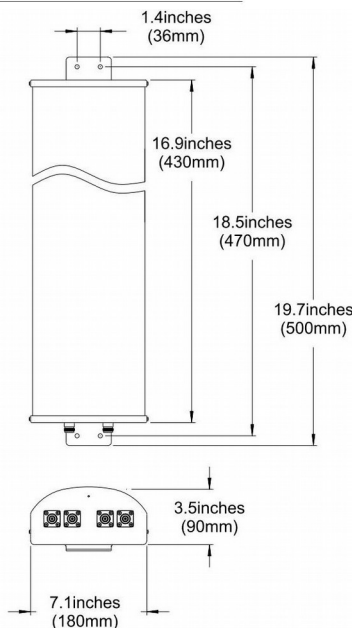
Packing Qty:	1pc/Carton
Carton Size:	540*200*130mm
(length*width*height)	/21.3*7.9*5.1in
Packing Weight:	2.9kg/6.39lb



H-Plane



V-Plane



Range: 0~15 deg

Email: sales@dmswireless.com
www.dmswireless.com

Notice: Specifications are subject to change without notice.
 Images may not reflect the actual product.