

# DMS Wireless

**392-412 MHZ H-POL or V-POL**

## Electrical Data

Frequency:	392-412 MHz
Gain:	10 dBi
VSWR:	<1.5:1
Polarization:	Horizontal Or Vertical
Horizontal Beamwidth :	48°
Vertical Beamwidth:	43°
Nominal Impedance:	50 Ohms
F/B Ratio:	>16 dB
Max Input Power:	300 W
Lightning Protection:	DC Ground

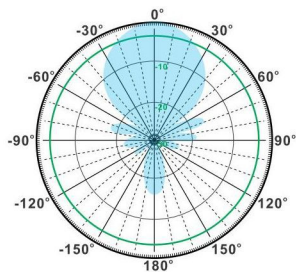
## Mechanical Data

Connector :	N Female
Dimension:	933mm/36.7in
Weight:	1.0kg/2.2lb
Cable Length:	360mm/14.2in
Reflector Material:	Aluminum Alloy
Antenna Material:	Mast
Mast Size:	Ø40-Ø50mm
Rated Wind Velocity:	210km/h
Operating temperature:	-40~+65°C

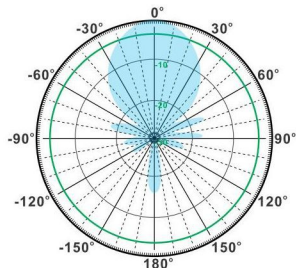
## Shipment Data

Packing Qty:	5pcs/Carton
Carton Size:	970*450*430mm
(length*width*height)	38.2*17.7*16.9in
Packing Weight:	8.5kg/18.7lb

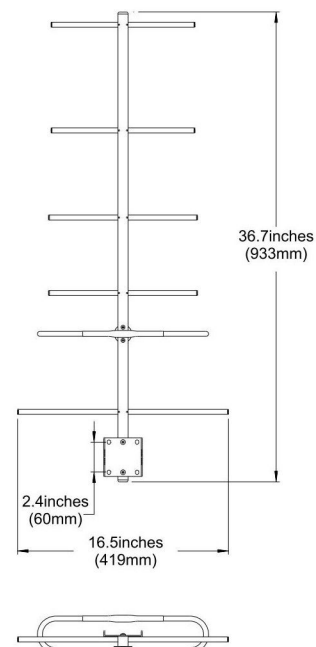
## YA392-412-10HV-6E



H-Plane



V-Plane



Email: [sales@dmswireless.com](mailto:sales@dmswireless.com)  
[www.dmswireless.com](http://www.dmswireless.com)

Notice: Specifications are subject to change without notice.  
Images may not reflect the actual product.