

DMS Wireless

890-960 MHz 80° V-POL

Electrical Data

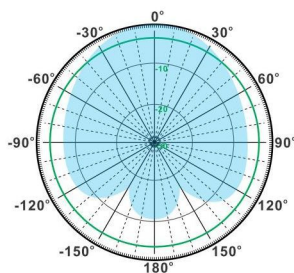
Frequency:	890-960 MHz
Gain:	9 dBi
VSWR:	<1.5:1
Polarization:	Vertical
Horizontal Beamwidth :	80°
Vertical Beamwidth:	63°
Nominal Impedance:	50 Ohms
F/B Ratio:	>10 dB
Max Input Power:	100 W
Lightning Protection:	DC Ground

Mechanical Data

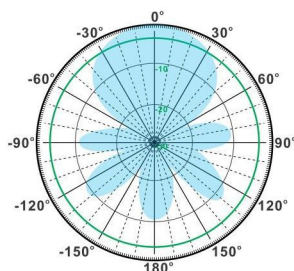
Connector :	SMA Male
Dimensions:	210*180*45mm
length*width*height	/8.27*7.09*1.78in
Weight:	0.62kg/1.37lb
Reflector Material:	Aluminum Alloy
Radome Material:	Weatherproof ABS
Mounting Method:	Mast
Mast Size:	Ø30-Ø50mm
Rated Wind Velocity:	210km/h
Operating temperature:	-40~+65°C

Shipment Data

Packing Qty:	20pcs/Carton
Carton Size:	515*405*420mm
(length*width*height)	/20.3*15.9*16.5in
Packing Weight:	13.2kg/29.0lb

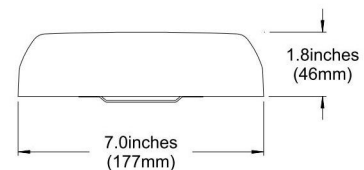
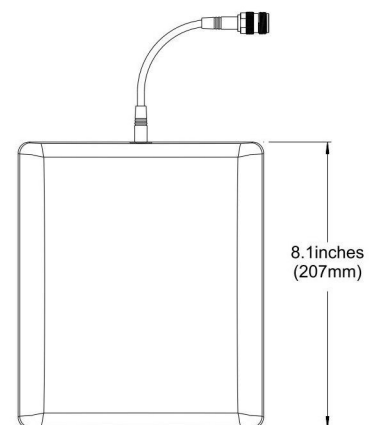


H-Plane



V-Plane

PA806-960-80-9V



Email: sales@dmswireless.com
www.dmswireless.com

Notice: Specifications are subject to change without notice.
Images may not reflect the actual product.