

DMS Wireless

216-226 MHz H-POL or V-POL

Electrical Data

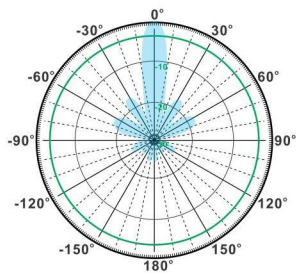
Frequency:	216-226 MHz
Gain:	9 dBi
VSWR:	<1.5:1
Polarization:	Horizontal or Vertical
Horizontal Beamwidth :	60°
Vertical Beamwidth:	55°
Nominal Impedance:	50 Ohms
F/B Ratio:	>14 dB
Max Input Power:	100 W
Lightning Protection:	DC Ground

Mechanical Data

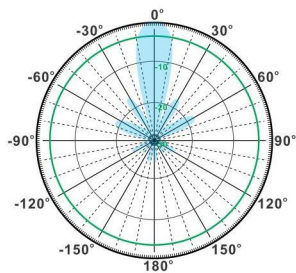
Connector :	N Male
Dimensions:	1005mm/39.6in
Weight:	2.6kg/5.7lb
Cable Length:	360mm/14.2in
Reflector Material:	Aluminum Alloy
Antenna Material:	Stainless Steel
Mounting Method:	Mast
Mast Size:	Ø40-Ø60mm
Rated Wind Velocity:	210km/h
Operating temperature:	-40~+65℃

Shipment Data

Packing Qty:	5pcs/Carton
Carton Size:	1040*540*710mm
(length*width*height)	/40.9*21.3*28.0in
Packing Weight:	14.5kg/31.9lb

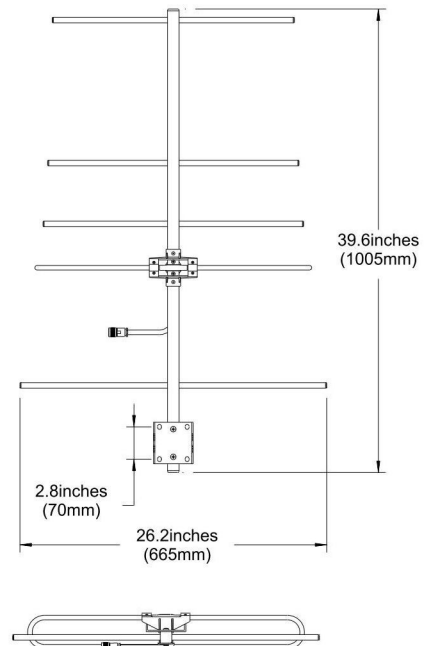


H-Plane



V-Plane

YA216-226-9HV-5EW



Email: sales@dmswireless.com
www.dmswireless.com

Notice: Specifications are subject to change without notice.
Images may not reflect the actual product.