

DMS Wireless

1850-1960 MHz 35° V-POL

Electrical Data

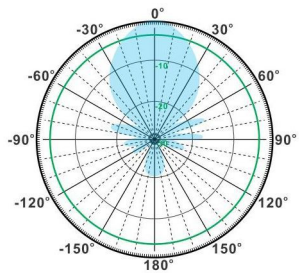
Frequency:	1850-1960 MHz
Gain:	13 dBi
VSWR:	<1.5:1
Polarization:	Vertical
Horizontal Beamwidth :	35°
Vertical Beamwidth:	32°
Nominal Impedance:	50 Ohms
F/B Ratio:	>20 dB
Max Input Power:	100 W
Lightning Protection:	DC Ground

Mechanical Data

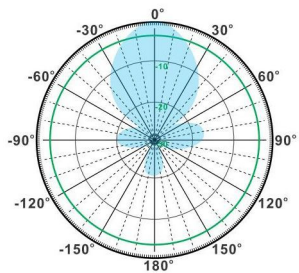
Connector :	SMA Female
Dimensions:	210*180*45mm
length*width*height	/8.3*7.1*1.8in
Weight:	0.6kg/1.4lb
Reflector Material:	Aluminum Alloy
Radome Material:	Weatherproof ABS
Mounting Method:	Mast
Mast Size:	Ø30-Ø50mm
Rated Wind Velocity:	210km/h
Operating temperature:	-40~+65℃

Shipment Data

Packing Qty:	20pcs/Carton
Carton Size:	460*370*410mm
(length*width*height)	/18.1*14.6*16.1in
Packing Weight:	13.2kg/29.0lb

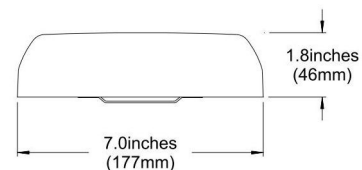
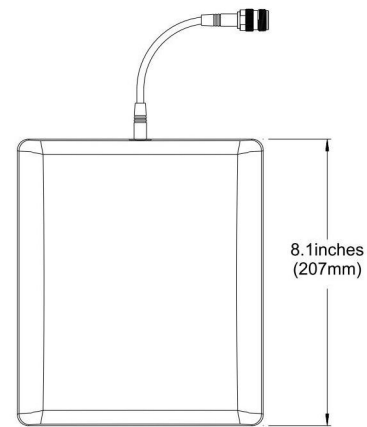


H-Plane



V-Plane

PA1850-1960-35-13V



Email: sales@dmswireless.com
www.dmswireless.com

Notice: Specifications are subject to change without notice.
Images may not reflect the actual product.