

# DMS Wireless

**450-470 MHz H-POL or V-POL**

## Electrical Data

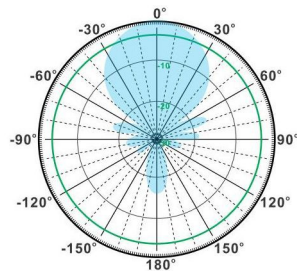
Frequency:	450-470 MHz
Gain:	11 dBi
VSWR:	<1.5:1
Polarization:	Horizontal or Vertical
Horizontal Beamwidth :	48°
Vertical Beamwidth:	43°
Nominal Impedance:	50 Ohms
F/B Ratio:	>16 dB
Max Input Power:	100 W
Lightning Protection:	DC Ground

## Mechanical Data

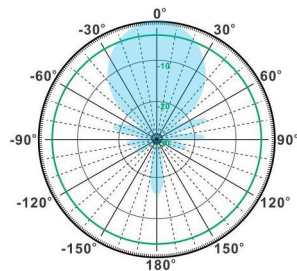
Connector :	TNC Female
Dimensions:	810mm/31.9in
Weight:	1.4kg/3.0lb
Cable Length:	360mm/14.2in
Reflector Material:	Aluminum Alloy
Mounting Method:	Mast
Mast Size:	Ø40-Ø50mm
Rated Wind Velocity:	210km/h
Operating temperature:	-40~+65°C

## Shipment Data

Packing Qty:	5pcs/Carton
Carton Size:	840*390*430mm
(length*width*height)	/33.1*15.3*16.9in
Packing Weight:	9kg/19.8lb

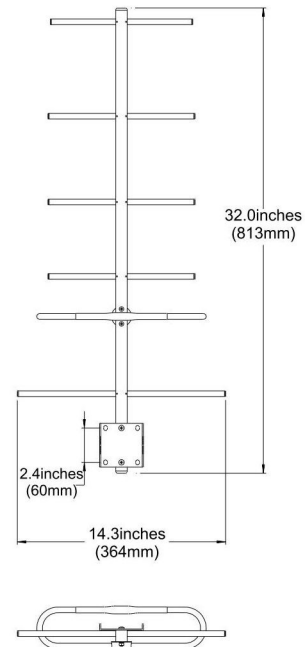


H-Plane



V-Plane

## YA450-470-11HV-6E



Email: [sales@dmswireless.com](mailto:sales@dmswireless.com)  
[www.dmswireless.com](http://www.dmswireless.com)

Notice: Specifications are subject to change without notice.  
Images may not reflect the actual product.