

DMS Wireless

1710-1880 MHz 80° V-POL

Electrical Data

Frequency:	1710-1880 MHz
Gain:	8 dBi
VSWR:	<2.0:1
Polarization:	Vertical
Horizontal Beamwidth :	80°
Vertical Beamwidth:	63°
Nominal Impedance:	50 Ohms
F/B Ratio:	>10 dB
Max Input Power:	50 W
Lightning Protection:	DC Ground

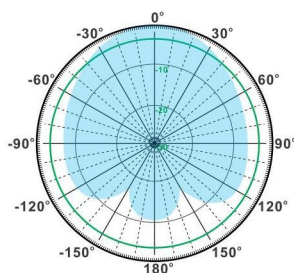
Mechanical Data

Connector :	N Female
Dimensions:	140*120*40mm
length*width*height	/5.5*4.7*1.6in
Weight:	0.6kg/1.4lb
Reflector Material:	Aluminum Alloy
Radome Material:	Weatherproof ABS
Mounting Method:	Mast
Mast Size:	Ø30-Ø50mm
Rated Wind Velocity:	210km/h
Operating temperature:	-40~+65°C

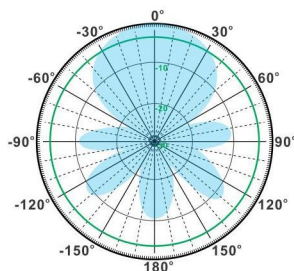
Shipment Data

Packing Qty:	20pcs/Carton
Carton Size:	640*255*510mm
(length*width*height)	/25.2*10.0*20.1in
Packing Weight:	13.2kg/29.0lb

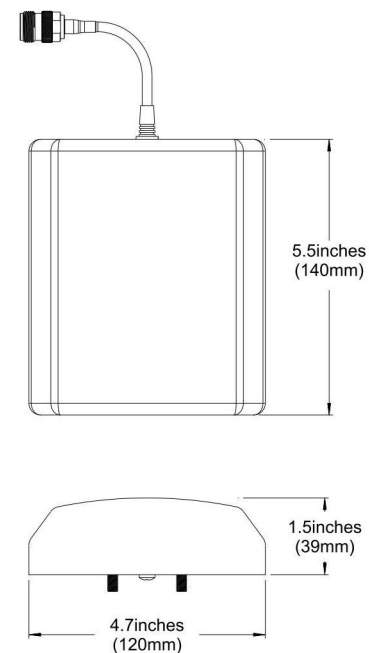
PA1710-1880-80-8V



H-Plane



V-Plane



Email: sales@dmswireless.com
www.dmswireless.com

Notice: Specifications are subject to change without notice.
Images may not reflect the actual product.