

# DMS Wireless

1710-1880 MHz 65° V-POL

## Electrical Data

Frequency:	1710-1880 MHz
Gain:	17 dBi
VSWR:	<1.5:1
Polarization:	Vertical
Horizontal Beamwidth :	65°
Vertical Beamwidth:	6.8°
Nominal Impedance:	50 Ohms
F/B Ratio:	>25 dB
Max Input Power:	100 W
Lightning Protection:	DC Ground

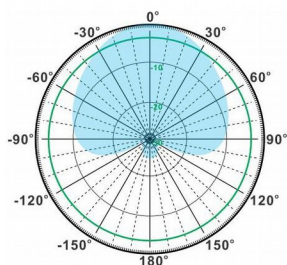
## Mechanical Data

Connector :	N Female
Dimensions:	1476*180*90mm
length*width*height	/58.1*7.1*3.5in
Weight:	4.8kg/10.6lb
Reflector Material:	Aluminum Alloy
Radome Material:	UV Resistance PVC
Mounting Method:	Mast
Mast Size:	Ø40-Ø70mm
Rated Wind Velocity:	210km/h
Operating temperature:	-40~+65°C

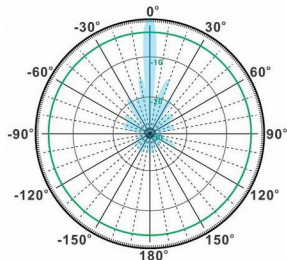
## Shipment Data

Packing Qty:	1 pc/Carton
Carton Size:	1740*220*135mm
(length*width*height)	/68.5*8.7*5.3in
Packing Weight:	5.8kg/12.8lb

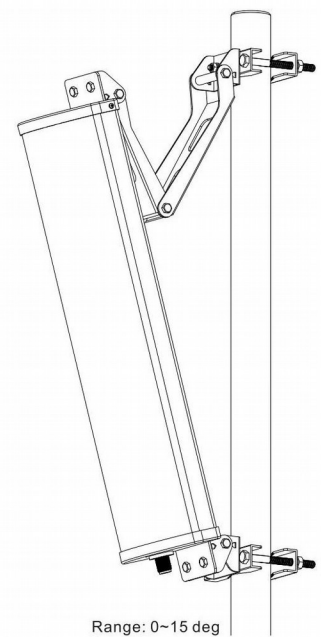
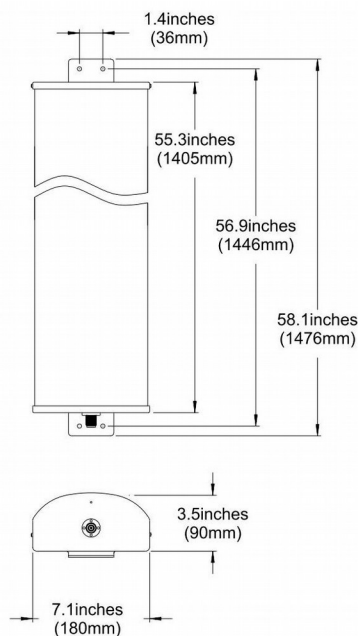
## PA1710-1880-65-17V



H-Plane



V-Plane



Range: 0~15 deg

Email: [sales@dmswireless.com](mailto:sales@dmswireless.com)  
[www.dmswireless.com](http://www.dmswireless.com)

Notice: Specifications are subject to change without notice.  
Images may not reflect the actual product.