

# DMS Wireless

**806-960/1710-2700 MHz ±45° X-POL**

## Electrical Data

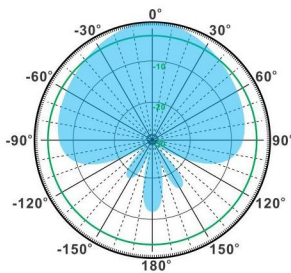
Frequency:	806-960MHz	1710-2700MHz
Gain:	8 dBi	9 dBi
VSWR:	<2.0:1	
Polarization:	±45°	
Horizontal Beamwidth:	80°	80°
Vertical Beamwidth:	60°	55°
Electrical downtilt:	0°	
Sidelobe suppression :	>15dB	
(First sidelobe above main beam)		
Front-to-back ratio :	>12dB	
Isolation:	>30dB	
Cross-polar ratio:	>20dB (±60°≥10)	
Intermodulation IM3: (2×43dBm carrier)	>-150dBc	
Impedance:	50 Ohms	
Max Input Power:	100W	
Lightning Protection:	DC Ground	

## Mechanical Data

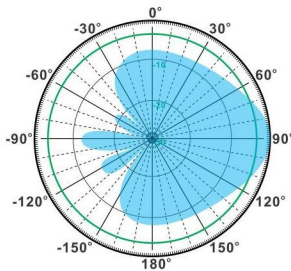
Connector :	2*N Female
Connector position:	Bottom
Dimensions:	300*180*90mm
length*width*height	11.8*7.0*3.5in
Weight:	1.5kg/3.3lb
Reflector Material:	Aluminum Alloy
Radome Material:	UV Resistance PVC
Mounting Method:	Mast
Mast Size:	Ø40-Ø70mm
Rated Wind Velocity:	210km/h
Operating temperature:	-40~+65°C

## Shipment Data

Packing Qty:	1pc/Carton
Carton Size:	515*220*135mm
(length*width*height)	20.3*8.7*5.3in
Packing Weight:	1.8kg/4.0lb

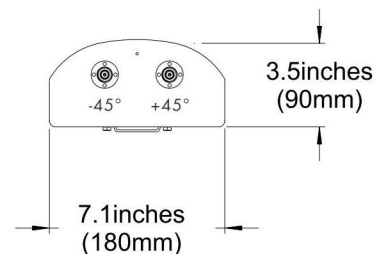
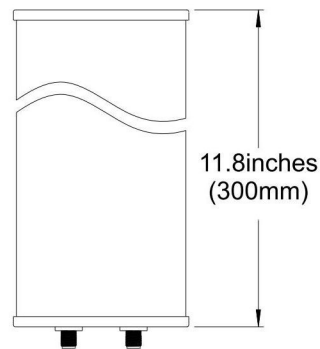


806-960MHz Radiation patterns



1710-2700MHz Radiation patterns

## PA806-2700-45-8X



Email: [sales@dmswireless.com](mailto:sales@dmswireless.com)  
[www.dmswireless.com](http://www.dmswireless.com)

Notice: Specifications are subject to change without notice.  
 Images may not reflect the actual product.