

DMS Wireless

2400-2483 MHz 180° V-POL

Electrical Data

Frequency:	2400-2483 MHz
Gain:	14 dBi
VSWR:	<1.5:1
Polarization:	Vertical
Horizontal Beamwidth :	180°
Vertical Beamwidth:	7.2°
Nominal Impedance:	50 Ohms
F/B Ratio:	>20 dB
Max Input Power:	100 W
Lightning Protection:	DC Ground

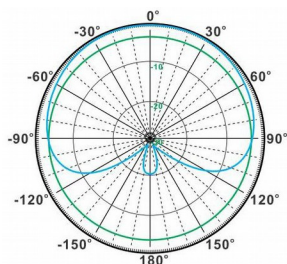
Mechanical Data

Connector :	N Female
Dimensions:	1046*164*65mm
length*width*height	/41.2*6.5*2.6in
Weight:	3.8kg/8.4lb
Reflector Material:	Aluminum Alloy
Radome Material:	UV Resistance PVC
Mounting Method:	Mast
Mast Size:	Ø40-Ø70mm
Rated Wind Velocity:	210km/h
Operating temperature:	-40~+65°C

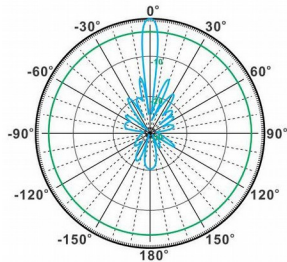
Shipment Data

Packing Qty:	1 pc/Carton
Carton Size:	1300*220*135mm
(length*width*height)	51.2*8.7*5.3in
Packing Weight:	4.7kg/10.4lb

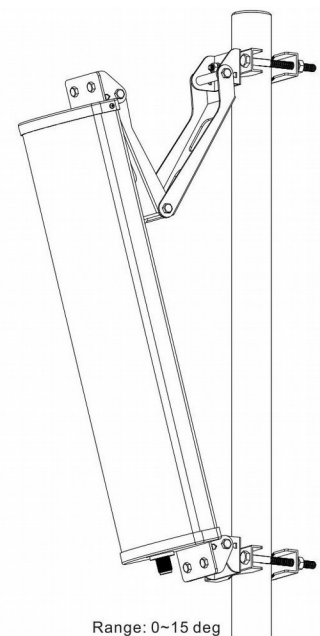
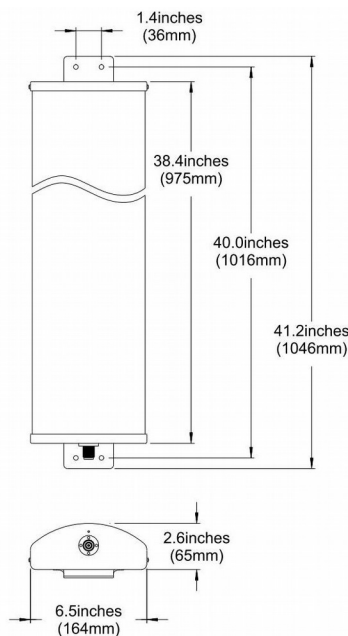
PA2400-2483-180-14V



H-Plane



V-Plane



Email: sales@dmswireless.com
www.dmswireless.com

Notice: Specifications are subject to change without notice.
 Images may not reflect the actual product.