

DMS Wireless

1710-1880 MHZ H-POL or V-POL

Electrical Data

Frequency:	1710-1880 MHz
Gain:	7 dBi
VSWR:	<1.5:1
Polarization:	Horizontal Or Vertical
Horizontal Beamwidth :	61°
Vertical Beamwidth:	52°
Nominal Impedance:	50 Ohms
F/B Ratio:	>16 dB
Max Input Power:	100 W
Lightning Protection:	DC Ground

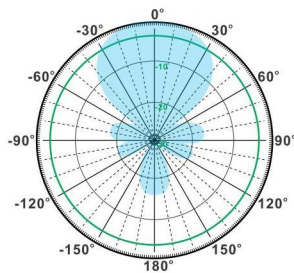
Mechanical Data

Connector :	N Female
Dimension:	250mm/9.8in
Weight:	0.26kg/0.6lb
Cable Length:	360mm/11.81in
Reflector Material:	Aluminum Alloy
Antenna Material:	Mast
Mast Size:	Ø40-Ø50mm
Rated Wind Velocity:	210km/h
Operating temperature:	-40~+65°C

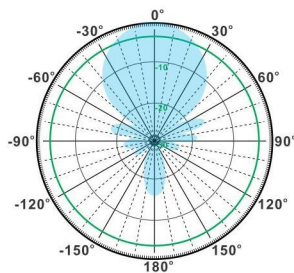
Shipment Data

Packing Qty:	20pcs/Carton
Carton Size:	520*275*275mm
(length*width*height)	20.5*10.8*10.8in
Packing Weight:	5.7kg/12.6lb

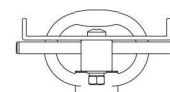
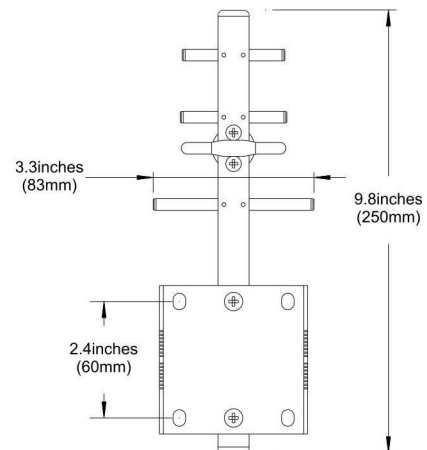
YA1710-1880-7-4E



H-Plane



V-Plane



Email: sales@dmswireless.com
www.dmswireless.com

Notice: Specifications are subject to change without notice.
Images may not reflect the actual product.