

DMS Wireless

2400-2483 MHz 180° H-POL

Electrical Data

Frequency:	2400-2483 MHz
Gain:	14 dBi
VSWR:	<1.5:1
Polarization:	Horizontal
Horizontal Beamwidth :	180°
Vertical Beamwidth:	7.2°
Nominal Impedance:	50 Ohms
F/B Ratio:	>15 dB
Max Input Power:	100 W

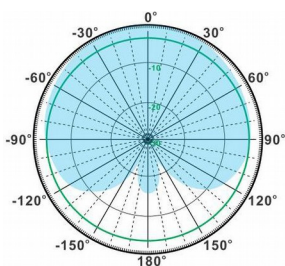
Mechanical Data

Connector :	N Female
Dimensions:	1350*164*65mm
length*width*height	/53.1*6.5*2.6in
Weight:	3.8kg/8.4lb
Reflector Material:	Aluminum Alloy
Radome Material:	UV Resistance PVC
Mounting Method:	Mast
Mast Size:	Ø40-Ø70mm
Rated Wind Velocity:	210km/h
Operating temperature:	-40~+65°C

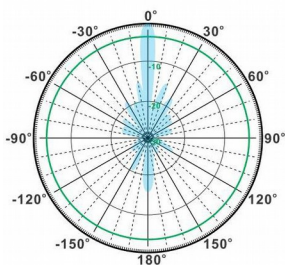
Shipment Data

Packing Qty:	1pc/Carton
Carton Size:	1615*220*135mm
(length*width*height)	63.6*8.7*5.3in
Packing Weight:	4.7kg/10.3lb

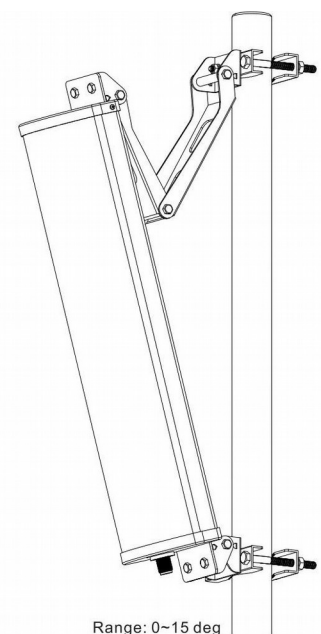
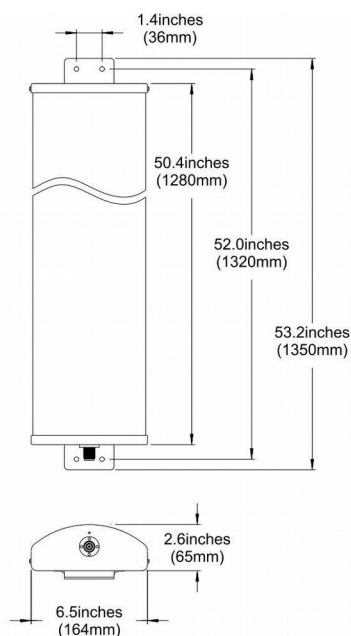
PA2400-2483-180-14H



H-Plane



V-Plane



Range: 0~15 deg

Email: sales@dmswireless.com
www.dmswireless.com

Notice: Specifications are subject to change without notice.
 Images may not reflect the actual product.