

# DMS Wireless

**824-896 MHz H-POL or V-POL**

## Electrical Data

Frequency:	824-896 MHz
Gain:	9 dBi
VSWR:	<1.5:1
Polarization:	Horizontal or Vertical
Horizontal Beamwidth :	55°
Vertical Beamwidth:	48°
Nominal Impedance:	50 Ohms
F/B Ratio:	>16 dB
Max Input Power:	100 W
Lightning Protection:	DC Ground

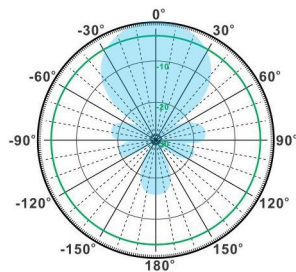
## Mechanical Data

Connector :	N Female
Dimensions:	440mm/17.33in
Weight:	0.4kg/0.8lb
Cable Length:	360mm/14.2in
Reflector Material:	Aluminum Alloy
Mounting Method:	Mast
Mast Size:	Ø40-Ø50mm
Rated Wind Velocity:	210km/h
Operating temperature:	-40~+65°C

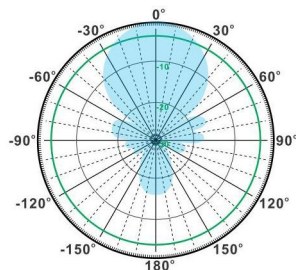
## Shipment Data

Packing Qty:	10pcs/Carton
Carton Size:	465*420*315mm
(length*width*height)	/18.3*16.5*12.4in
Packing Weight:	5kg/11lb

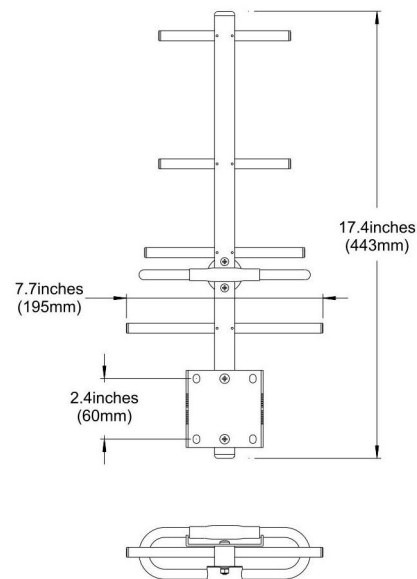
## YA824-896-9HV-5E



H-Plane



V-Plane



Email: [sales@dmswireless.com](mailto:sales@dmswireless.com)  
[www.dmswireless.com](http://www.dmswireless.com)

Notice: Specifications are subject to change without notice.  
Images may not reflect the actual product.