

DMS Wireless

890-960 MHz H-Pol or V-Pol

Electrical Data

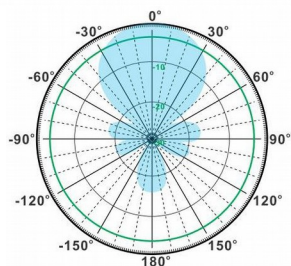
Frequency:	890-960 MHz
Gain:	6 dBi
VSWR:	<1.5:1
Polarization:	Horizontal Or Vertical
Horizontal Beamwidth :	95°
Vertical Beamwidth:	59°
Nominal Impedance:	50 Ohms
F/B Ratio:	>16 dB
Max Input Power:	100 W
Lightning Protection:	DC Ground

Mechanical Data

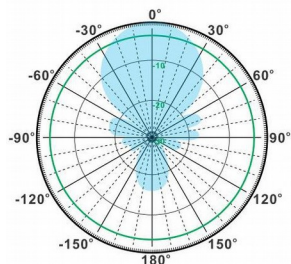
Connector :	N Male
Dimension:	250mm/9.8in
Weight:	1kg/2.2lb
Cable Length:	300mm/11.81in
Reflector Material:	Aluminum Alloy
Antenna Material:	Stainless Steel
Mounting Method:	Mast
Mast Size:	Ø40-Ø50mm
Rated Wind Velocity:	210km/h
Operating temperature:	-40~+65°C

Shipment Data

Packing Qty:	10pcs/Carton
Carton Size:	520*430*370mm
(length*width*height)	20.5*16.9*14.6in
Packing Weight:	11kg/24.2lb

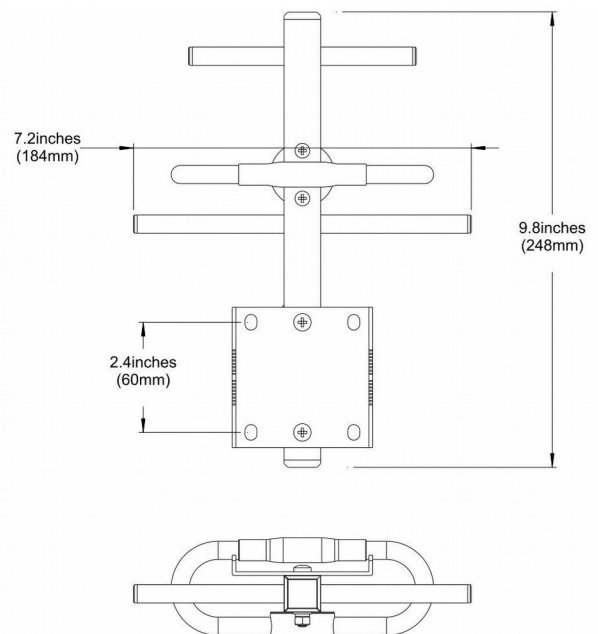


H-Plane



V-Plane

YA890-960-6HV-3EW



Email: sales@dmswireless.com
www.dmswireless.com

Notice: Specifications are subject to change without notice.
Images may not reflect the actual product.