

DMS Wireless

5725-5850 MHz 180° V-POL

Electrical Data

Frequency:	5725-5850 MHz
Gain:	14 dBi
VSWR:	<1.5:1
Polarization:	Vertical
Horizontal Beamwidth :	180°
Vertical Beamwidth:	6.7°
Nominal Impedance:	50 Ohms
F/B Ratio:	>20 dB
Max Input Power:	100 W
Lightning Protection:	DC Ground

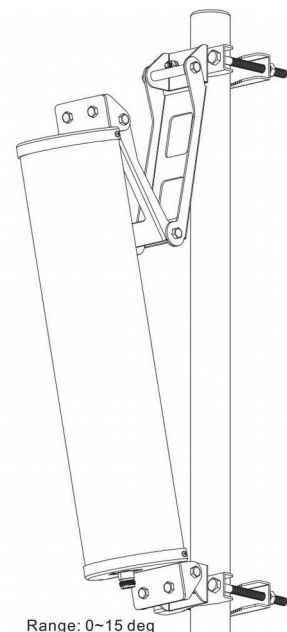
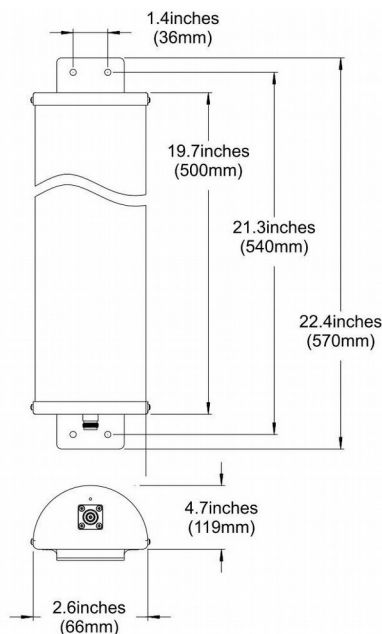
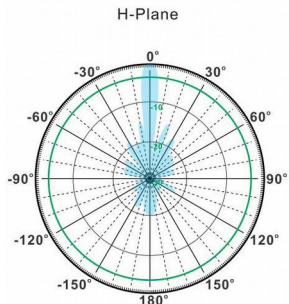
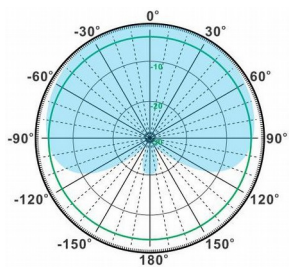
Mechanical Data

Connector :	N Female
Dimensions:	570*66*119mm
length*width*height	/22.4*2.6*4.7in
Weight:	2.9kg/6.4lb
Reflector Material:	Aluminum Alloy
Radome Material:	UV Resistance PVC
Mounting Method:	Mast
Mast Size:	Ø40-Ø70mm
Rated Wind Velocity:	210km/h
Operating temperature:	-40~+65℃

Shipment Data

Packing Qty:	1pc/Carton
Carton Size:	820*160*115mm
(length*width*height)	/32.3*6.3*4.5in
Packing Weight:	3.6kg/7.9lb

PA5725-5850-180-14V



Email: sales@dmswireless.com
www.dmswireless.com

Notice: Specifications are subject to change without notice.
 Images may not reflect the actual product.