

# DMS Wireless

**2400-2483 MHz 120° H-POL**

## Electrical Data

Frequency:	2400-2483 MHz
Gain:	13 dBi
VSWR:	<1.5:1
Polarization:	Horizontal
Horizontal Beamwidth :	120°
Vertical Beamwidth:	13°
Nominal Impedance:	50 Ohms
F/B Ratio:	>15 dB
Max Input Power:	100 W

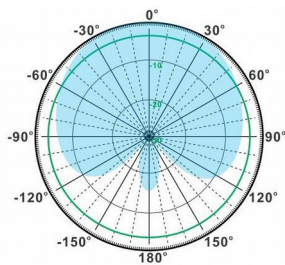
## Mechanical Data

Connector :	N Female
Dimensions:	1046*164*65mm
length*width*height	/41.2*6.5*2.6in
Weight:	3.1kg/6.9lb
Reflector Material:	Aluminum Alloy
Radome Material:	UV Resistance PVC
Mounting Method:	Mast
Mast Size:	Ø40-Ø70mm
Rated Wind Velocity:	210km/h
Operating temperature:	-40~+65℃

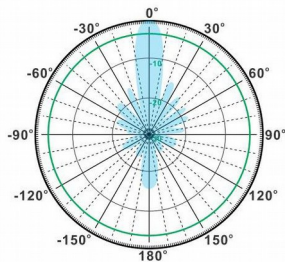
## Shipment Data

Packing Qty:	1 pc/Carton
Carton Size:	1310*200*110mm
(length*width*height)	/51.6*7.9*4.3in
Packing Weight:	5.1kg/11.2lb

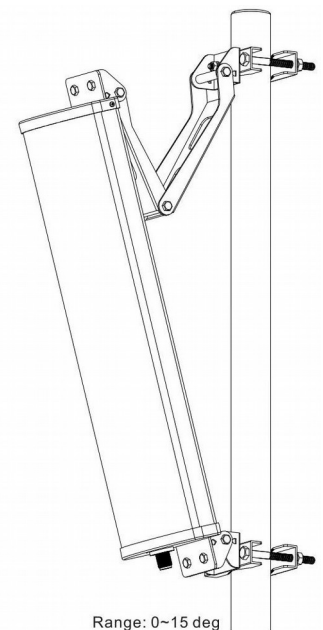
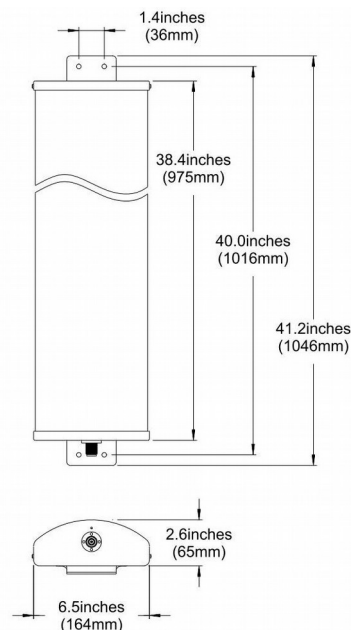
**PA2400-2483-120-13H**



H-Plane



V-Plane



Range: 0~15 deg

Email: [sales@dmswireless.com](mailto:sales@dmswireless.com)  
[www.dmswireless.com](http://www.dmswireless.com)

Notice: Specifications are subject to change without notice.  
Images may not reflect the actual product.