

DMS Wireless

790-960/1710-2700 MHz 90° V-POL

Electrical Data

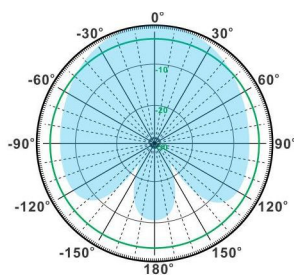
Frequency:	790-960/1710-2700 MHz
Gain:	7 dBi
VSWR:	<2.0:1
Polarization:	Vertical
Horizontal Beamwidth :	90°
Vertical Beamwidth:	55°
Nominal Impedance:	50 Ohms
F/B Ratio:	>10 dB
Max Input Power:	100 W
Lightning Protection:	DC Ground

Mechanical Data

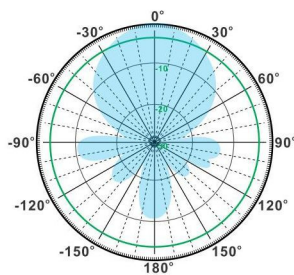
Connector :	N Female
Dimensions:	210*180*45mm
length*width*height	/8.3*7.1*1.8in
Weight:	0.54kg/1.2lb
Reflector Material:	Aluminum Alloy
Radome Material:	Weatherproof ABS
Mounting Method:	Mast Or Wall Mount
Mast Size:	Ø30-Ø50mm
Rated Wind Velocity:	210km/h
Operating temperature:	-40~+65°C

Shipment Data

Packing Qty:	20pcs/Carton
Carton Size:	530*320*410mm
(length*width*height)	/20.9*12.6*16.1in
Packing Weight:	11.7kg/25.8lb

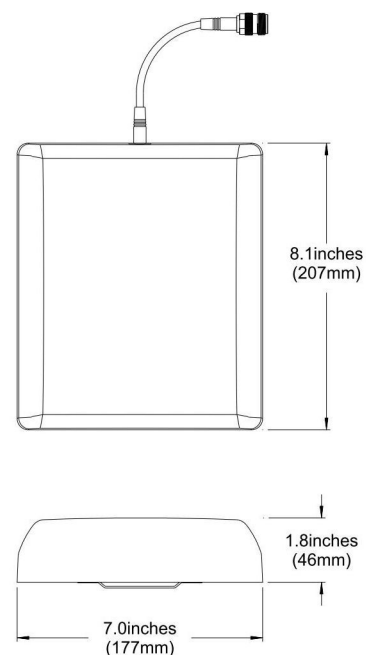


H-Plane



V-Plane

PA790-2700-90-7V



Email: sales@dmswireless.com
www.dmswireless.com

Notice: Specifications are subject to change without notice.
Images may not reflect the actual product.