

DMS Wireless

760-865 MHz H-POL or V-POL

Electrical Data

Frequency:	760-865 MHz
Gain:	12 dBi
VSWR:	<1.5:1
Polarization:	Horizontal or Vertical
Horizontal Beamwidth :	50°
Vertical Beamwidth:	40°
Nominal Impedance:	50 Ohms
F/B Ratio:	>16 dB
Max Input Power:	100 W
Lightning Protection:	DC Ground

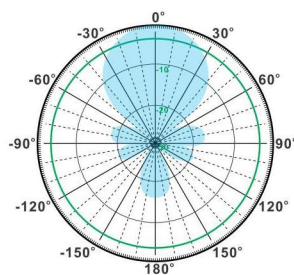
Mechanical Data

Connector :	N Female
Dimensions:	720mm/28.4in
Weight:	0.5kg/1.1lb
Cable Length:	360mm/14.2in
Reflector Material:	Aluminum Alloy
Antenna Material:	Mast
Mast Size:	Ø40-Ø50mm
Rated Wind Velocity:	210km/h
Operating temperature:	-40~+65°C

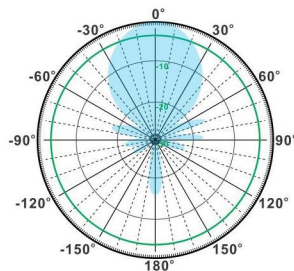
Shipment Data

Packing Qty:	10pcs/Carton
Carton Size:	745*475*320mm
(length*width*height)	/29.3*18.7*12.6in
Packing Weight:	6.5kg/14.3lb

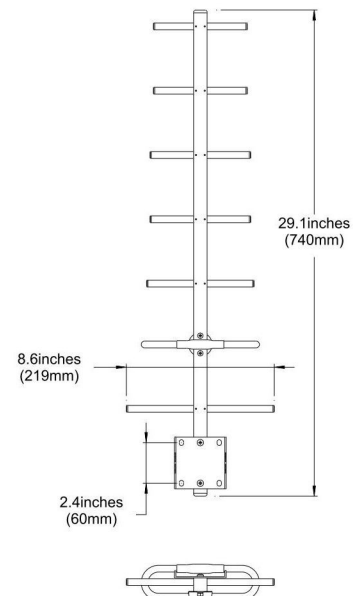
YA760-865-12HV-7E



H-Plane



V-Plane



Email: sales@dmswireless.com
www.dmswireless.com

Notice: Specifications are subject to change without notice.
Images may not reflect the actual product.