

DMS Wireless

900-930 MHz 90° H-POL

Electrical Data

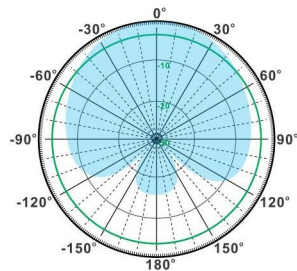
| | |
|------------------------|-------------|
| Frequency: | 900-930 MHz |
| Gain: | 12 dBi |
| VSWR: | <2.0:1 |
| Polarization: | Horizontal |
| Horizontal Beamwidth : | 90° |
| Vertical Beamwidth: | 26° |
| Nominal Impedance: | 50 Ohms |
| F/B Ratio: | >15 dB |
| Max Input Power: | 250 W |

Mechanical Data

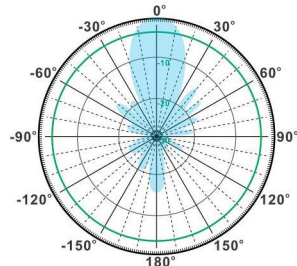
| | |
|------------------------|-----------------|
| Connector : | N Female |
| Dimensions: | 1260*204*83mm |
| length*width*height | /49.6*8.0*3.3in |
| Weight: | 6.1kg/13.4b |
| Reflector Material: | Aluminum Alloy |
| Mounting Method: | Mast |
| Mast Size: | Ø50-Ø90mm |
| Rated Wind Velocity: | 210km/h |
| Operating temperature: | -40~+65℃ |

Shipment Data

| | |
|-----------------------|------------------|
| Packing Qty: | 1 pc/ Carton |
| Carton Size: | 1335*130*270mm |
| (length*width*height) | /52.6*5.1*10.6in |
| Packing Weight: | 7.1kg/15.6lb |
| Kit Size: | 375*340*205mm |
| (length*width*height) | /14.8*13.4*8.1in |
| Kit Weight: | 5.8kg/12.78lb |

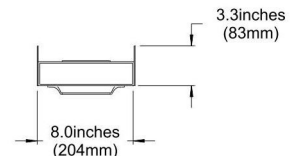
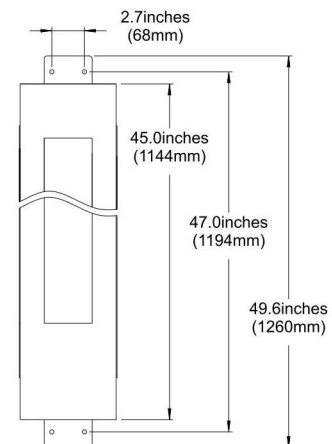


H-Plane



V-Plane

PA900-930-90-12H



Email: sales@dmswireless.com
www.dmswireless.com

Notice: Specifications are subject to change without notice.
 Images may not reflect the actual product.