

DMS Wireless

890-960 MHz H-POL or V-POL

Electrical Data

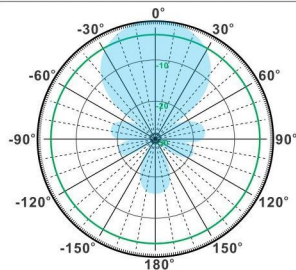
Frequency:	890-960 MHz
Gain:	9 dBi
VSWR:	<1.5:1
Polarization:	Horizontal or Vertical
Horizontal Beamwidth :	55°
Vertical Beamwidth:	48°
Nominal Impedance:	50 Ohms
F/B Ratio:	>16 dB
Max Input Power:	100 W
Lightning Protection:	DC Ground

Mechanical Data

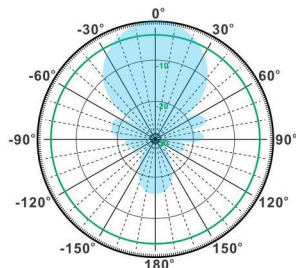
Connector :	N Male
Dimensions:	430mm/16.9in
Weight:	1.2kg/2.6lb
Cable Length:	300mm/11.8in
Reflector Material:	Aluminum Alloy
Antenna Material:	Stainless Steel
Mounting Method:	Mast
Mast Size:	Ø40-Ø50mm
Rated Wind Velocity:	210km/h
Operating temperature:	-40~+65°C

Shipment Data

Packing Qty:	10pcs/Carton
Carton Size:	520*445*425mm
(length*width*height)	/20.5*17.5*16.7in
Packing Weight:	13kg/28.6lb

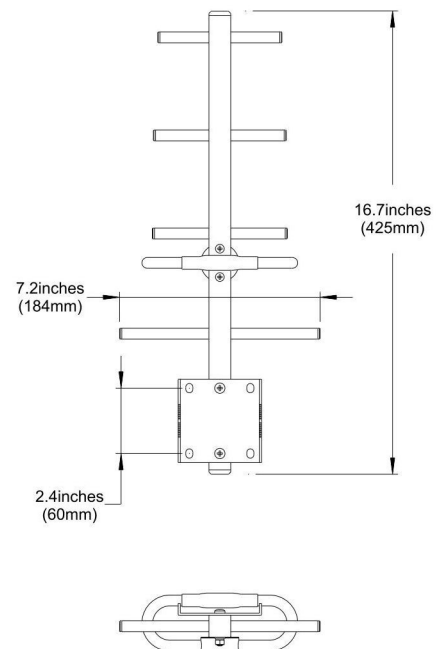
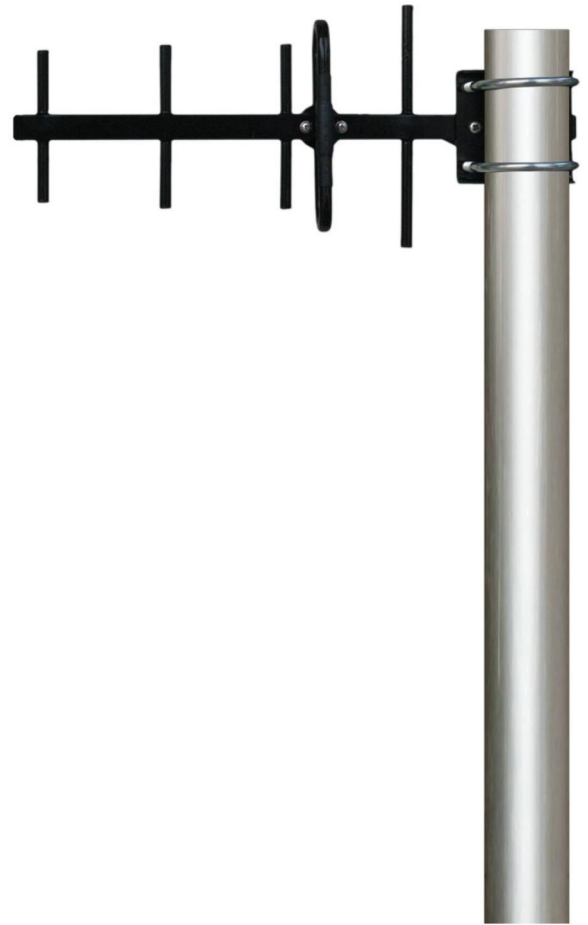


H-Plane



V-Plane

YA890-960-9HV-5EW



Email: sales@dmswireless.com
www.dmswireless.com

Notice: Specifications are subject to change without notice.
Images may not reflect the actual product.