

# DMS Wireless

1880-1930 MHz 80° V-POL

## Electrical Data

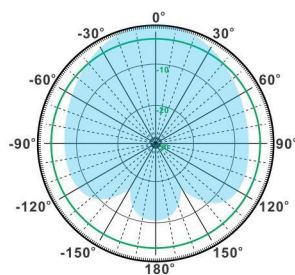
Frequency:	1880-1930 MHz
Gain:	8 dBi
VSWR:	<1.5:1
Polarization:	Vertical
Horizontal Beamwidth :	80°
Vertical Beamwidth:	54°
Nominal Impedance:	50 Ohms
F/B Ratio:	> 10 dB
Max Input Power:	100 W
Lightning Protection:	DC Ground

## Mechanical Data

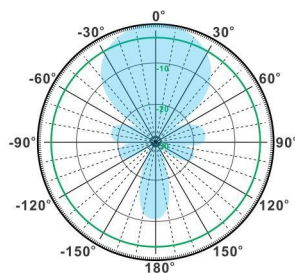
Connector :	N Female
Dimensions:	140*120*40mm
length*width*height	/5.5*4.7*1.6in
Weight:	0.6kg/1.4lb
Reflector Material:	Aluminum Alloy
Radome Material:	Weatherproof ABS
Mounting Method:	Mast
Mast Size:	Ø30-Ø50mm
Rated Wind Velocity:	210km/h
Operating temperature:	-40~+65°C

## Shipment Data

Packing Qty:	20pcs/Carton
Carton Size:	640*255*510mm
(length*width*height)	/25.2*10.0*20.1in
Packing Weight:	13.2kg/29.0lb

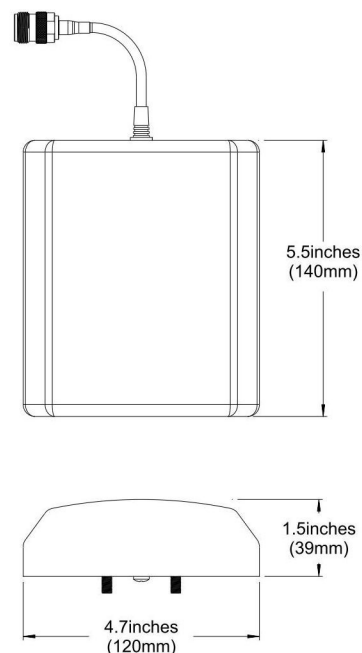


H-Plane



V-Plane

## PA1880-1930-80-8V



Email: [sales@dmswireless.com](mailto:sales@dmswireless.com)  
[www.dmswireless.com](http://www.dmswireless.com)

Notice: Specifications are subject to change without notice.  
Images may not reflect the actual product.