

# DMS Wireless

**2400-2483 MHz 120° V-POL**

## Electrical Data

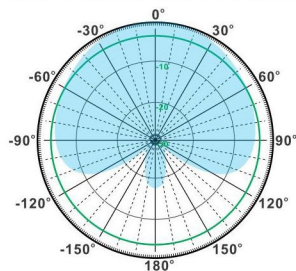
Frequency:	2400-2483 MHz
Gain:	11 dBi
VSWR:	<1.5:1
Polarization:	Vertical
Horizontal Beamwidth :	120°
Vertical Beamwidth:	25°
Nominal Impedance:	50 Ohms
F/B Ratio:	>18 dB
Max Input Power:	100 W
Lightning Protection:	DC Ground

## Mechanical Data

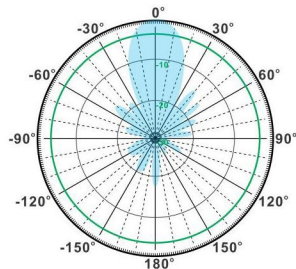
Connector :	N Female
Dimensions:	285*164*65mm
length*width*height	/11.2*6.5*2.6in
Weight:	2.5kg/5.5lb
Reflector Material:	Aluminum Alloy
Radome Material:	UV Resistance PVC
Mounting Method:	Mast
Mast Size:	Ø40-Ø70mm
Rated Wind Velocity:	210km/h
Operating temperature:	-40~+65°C

## Shipment Data

Packing Qty:	1 pc/Carton
Carton Size:	385*200*110mm
(length*width*height)	/15.2*7.9*4.3in
Packing Weight:	3kg/6.6lb

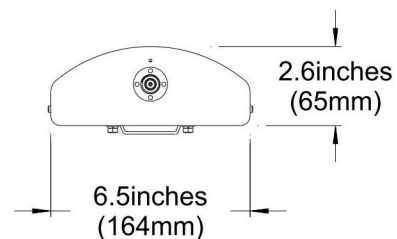
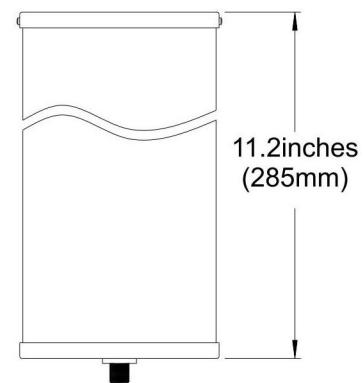


H-Plane



V-Plane

## PA2400-2483-120-11V



Email: [sales@dmswireless.com](mailto:sales@dmswireless.com)  
[www.dmswireless.com](http://www.dmswireless.com)

Notice: Specifications are subject to change without notice.  
Images may not reflect the actual product.