

DMS Wireless

2300-2400 MHz 56° V-POL

Electrical Data

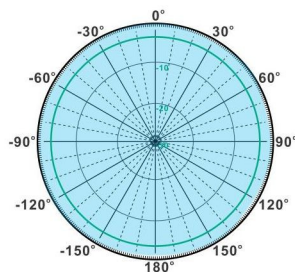
Frequency:	2300-2400 MHz
Gain:	3dBi
VSWR:	<1.8:1
Polarization:	Vertical
Horizontal Beamwidth :	360°
Vertical Beamwidth:	56°
Nominal Impedance:	50 Ohms
Isolation:	>20 dB
Max Input Power:	100 W
Lightning Protection:	DC Ground

Mechanical Data

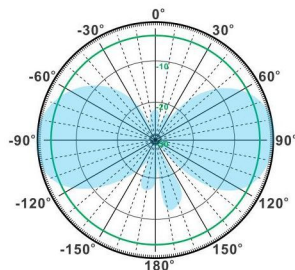
Connector :	2*N Female
Dimensions:	Ø150*60mm
diameter*length	Ø5.91*2.36in
Weight:	0.25kg/0.55lb
Cable Length:	2*170mm
Reflector Material:	Aluminum Alloy
Radome Material:	Weatherproof ABS
Mounting Method:	Fit with nut
Rated Wind Velocity:	210km/h
Operating temperature:	-40~+65°C

Shipment Data

Packing Qty:	20pcs/Carton
Carton Size:	670*275*285mm
(length*width*height)	26.38*10.83*11.22in
Packing Weight:	6kg/13.22lb

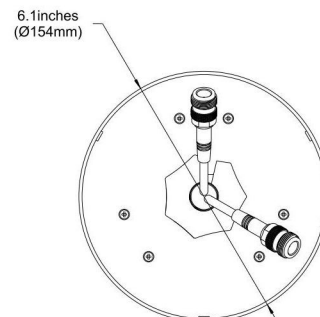
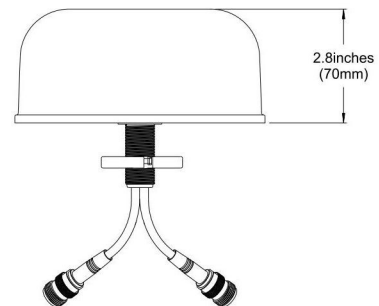


H-Plane



V-Plane

CA2300-2400-56-3V-2N



Email: sales@dmswireless.com
www.dmswireless.com

Notice: Specifications are subject to change without notice.
Images may not reflect the actual product.