

# DMS Wireless

**2400-2483 MHz V-POL**

## Electrical Data

Frequency:	2400-2483 MHz
Gain:	3 dBi
VSWR:	<1.5:1
Polarization:	Vertical
Horizontal Beamwidth :	360°
Vertical Beamwidth:	51°
Nominal Impedance:	50 Ohms
Max Input Power:	100 W
Lightning Protection:	DC Ground

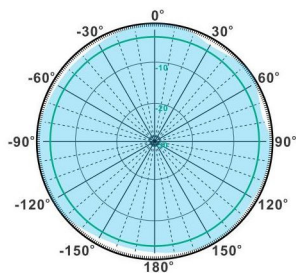
## Mechanical Data

Connector :	N Female
Dimensions:	Ø120*54mm
(diameter*length)	Ø4.7*2.1in
Weight:	0.3kg/0.6lb
Cable Length:	280mm/11.0in
Reflector Material:	Aluminum Alloy
Radome Material:	Weatherproof ABS
Mounting Method:	Fit with nut
Rated Wind Velocity:	210km/h
Operating temperature:	-40~+65°C

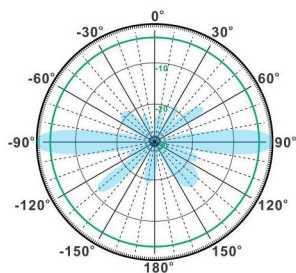
## Shipment Data

Packing Qty:	20pcs/Carton
Carton Size:	670*270*280mm
(length*width*height)	26.4*10.6*11.0in
Packing Weight:	6kg/13.2lb

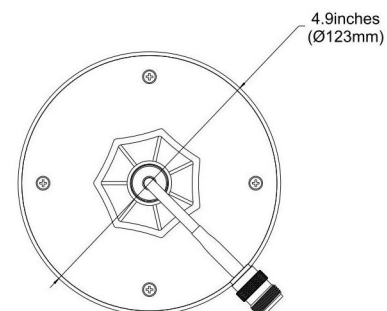
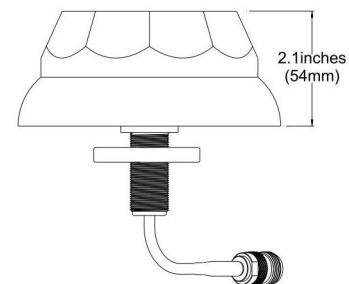
## CA2400-2483-3V



H-Plane



V-Plane



Email: [sales@dmswireless.com](mailto:sales@dmswireless.com)  
[www.dmswireless.com](http://www.dmswireless.com)

Notice: Specifications are subject to change without notice.  
Images may not reflect the actual product.