

DMS Wireless

5725-5850 MHz 90° H-POL

Electrical Data

Frequency:	5725-5850 MHz
Gain:	19 dBi
VSWR:	<1.5:1
Polarization:	Horizontal
Horizontal Beamwidth :	90°
Vertical Beamwidth:	3.5°
Nominal Impedance:	50 Ohms
F/B Ratio:	>25 dB
Max Input Power:	100 W

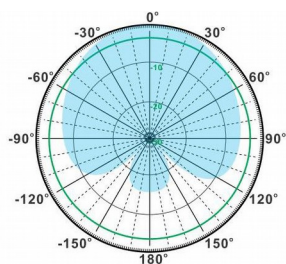
Mechanical Data

Connector :	N Female
Dimensions:	980*66*119mm
length*width*height	/38.6*2.6*4.7in
Weight:	3.8kg/8.4lb
Reflector Material:	Aluminum Alloy
Radome Material:	UV Resistance PVC
Mounting Method:	Mast
Mast Size:	Ø40-Ø70mm
Rated Wind Velocity:	210km/h
Operating temperature:	-40~+65°C

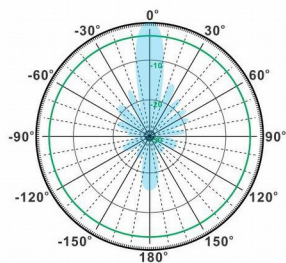
Shipment Data

Packing Qty:	1pc/Carton
Carton Size:	1385*160*115mm
(length*width*height)	54.5*6.3*4.5in
Packing Weight:	4.5kg/9.9lb

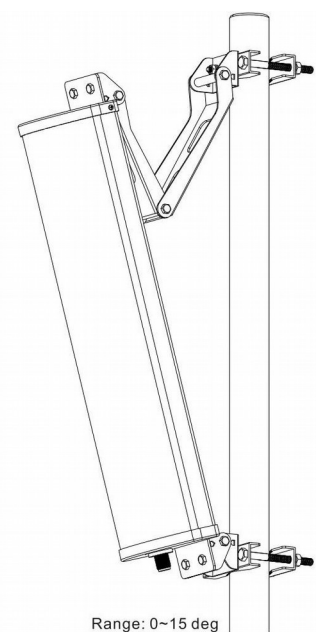
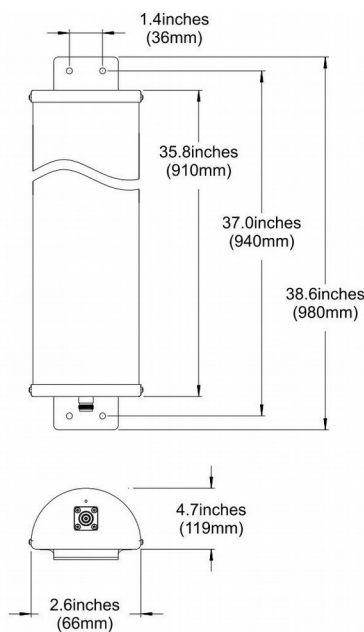
PA5725-5850-90-19H



H-Plane



V-Plane



Email: sales@dmswireless.com
www.dmswireless.com

Notice: Specifications are subject to change without notice.
Images may not reflect the actual product.