

DMS Wireless

824-896 MHz H-POL or V-POL

Electrical Data

| | |
|------------------------|------------------------|
| Frequency: | 824-896 MHz |
| Gain: | 12 dBi |
| VSWR: | <1.5:1 |
| Polarization: | Horizontal or Vertical |
| Horizontal Beamwidth : | 45° |
| Vertical Beamwidth: | 38° |
| Nominal Impedance: | 50 Ohms |
| F/B Ratio: | >16 dB |
| Max Input Power: | 100 W |
| Lightning Protection: | DC Ground |

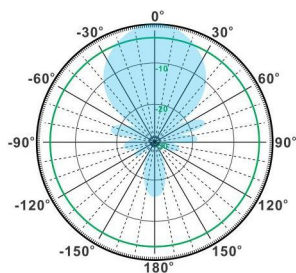
Mechanical Data

| | |
|------------------------|----------------|
| Connector : | N Female |
| Dimensions: | 680mm/26.8in |
| Weight: | 0.4kg/0.8lb |
| Cable Length: | 360mm/14.17in |
| Reflector Material: | Aluminum Alloy |
| Mounting Method: | Mast |
| Mast Size: | Ø40-Ø50mm |
| Rated Wind Velocity: | 210km/h |
| Operating temperature: | -40~+65°C |

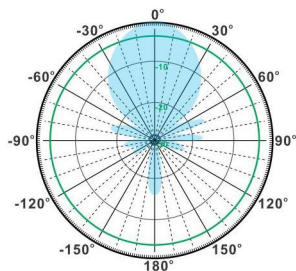
Shipment Data

| | |
|-----------------------|-------------------|
| Packing Qty: | 10pcs/Carton |
| Carton Size: | 710*420*315mm |
| (length*width*height) | /28.0*16.5*12.4in |
| Packing Weight: | 5.4kg/11.9lb |

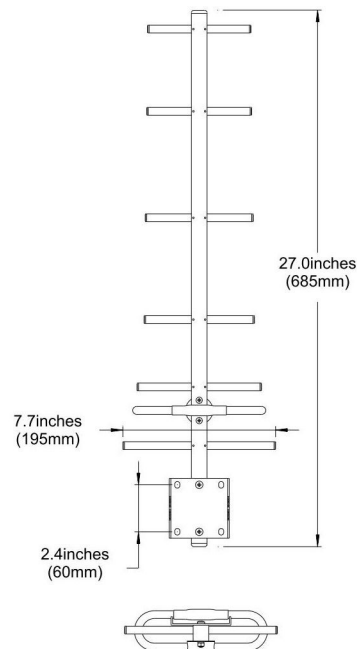
YA824-896-12HV-7E



H-Plane



V-Plane



Email: sales@dmswireless.com
www.dmswireless.com

Notice: Specifications are subject to change without notice.
Images may not reflect the actual product.