

DMS Wireless

450-470 MHz 120° V-POL

Electrical Data

Frequency:	450-470 MHz
Gain:	11 dBi
VSWR:	<1.5:1
Polarization:	Vertical
Horizontal Beamwidth :	120°
Vertical Beamwidth:	28°
Nominal Impedance:	50 Ohms
F/B Ratio:	>20 dB
Max Input Power:	100 W
Lightning Protection:	DC Ground

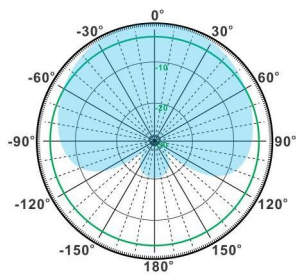
Mechanical Data

Connector :	N Female
Dimensions:	1276*290*130mm
length*width*height	/50.2*11.42*5.12in
Weight:	11.6kg/25.55lb
Reflector Material:	Aluminum Alloy
Radome Material:	UV Resistance PVC
Mounting Method:	Mast
Mast Size:	Ø50-Ø90mm
Rated Wind Velocity:	210km/h
Operating temperature:	-40~+65°C

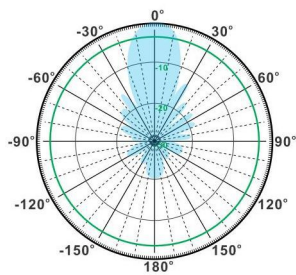
Shipment Data

Packing Qty:	1pc/Carton
Carton Size:	1690*330*195mm
(length*width*height)	/66.5*13.0*7.7in
Packing Weight:	13.4kg/29.52lb

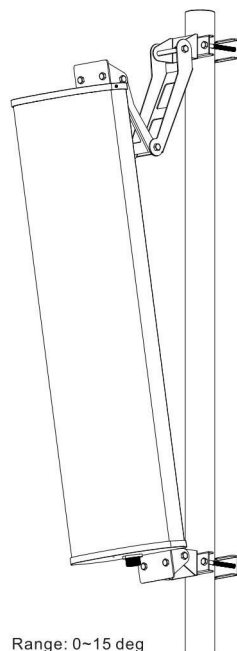
PA450-470-120-11V



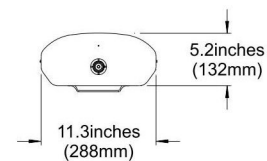
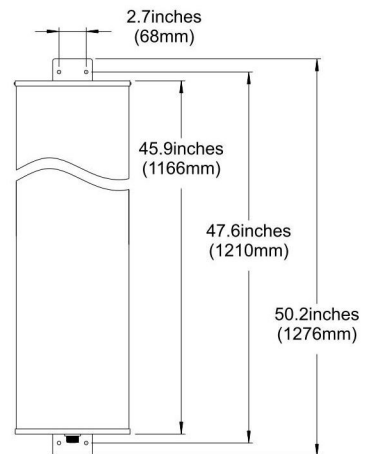
H-Plane



V-Plane



Range: 0~15 deg



Email: sales@dmswireless.com
www.dmswireless.com

Notice: Specifications are subject to change without notice.
 Images may not reflect the actual product.