

DMS Wireless

2400-2483 MHz 120° H-POL

Electrical Data

Frequency:	2400-2483 MHz
Gain:	18 dBi
VSWR:	<2.0:1
Polarization:	Horizontal
Horizontal Beamwidth :	120°
Vertical Beamwidth:	4°
Nominal Impedance:	50 Ohms
F/B Ratio:	>18 dB
Max Input Power:	100 W

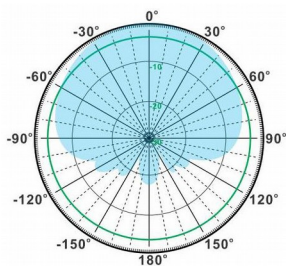
Mechanical Data

Connector :	N Female
Dimensions:	1970*164*65mm
length*width*height	/77.6*6.5*2.6in
Weight:	7.9kg/17.4lb
Reflector Material:	Aluminum Alloy
Radome Material:	UV Resistance PVC
Mounting Method:	Mast
Mast Size:	Ø40-Ø70mm
Rated Wind Velocity:	210km/h
Operating temperature:	-40~+65°C

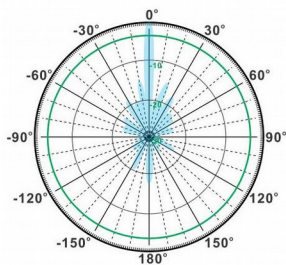
Shipment Data

Packing Qty:	1pc/Carton
Carton Size:	2235*200*110mm
(length*width*height)	/88.0*7.9*4.3in
Packing Weight:	9.8kg/21.6lb

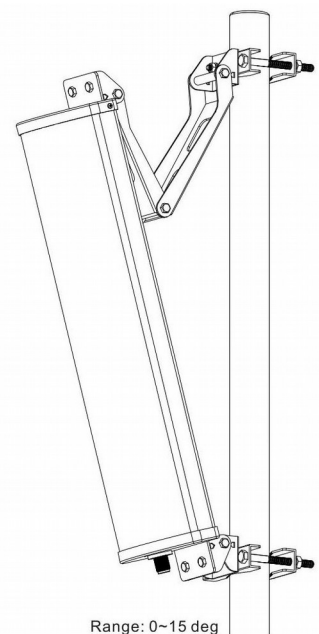
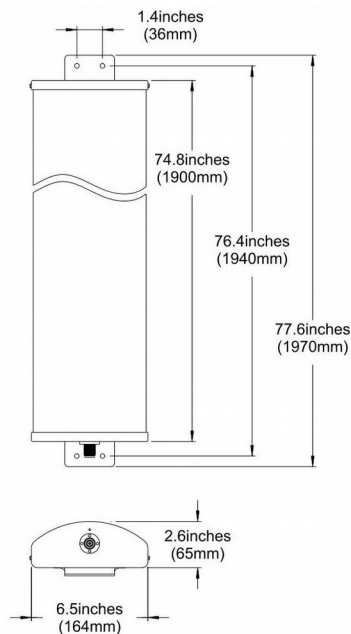
PA2400-2483-120-18H



H-Plane



V-Plane



Range: 0~15 deg

Email: sales@dmswireless.com
www.dmswireless.com

Notice: Specifications are subject to change without notice.
Images may not reflect the actual product.