

# DMS Wireless

**890-960 MHz H-POL or V-POL**

## Electrical Data

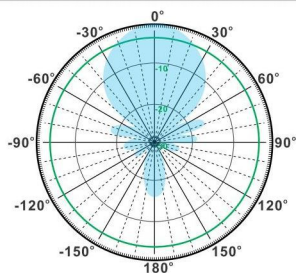
Frequency:	890-960 MHz
Gain:	12 dBi
VSWR:	<1.5:1
Polarization:	Horizontal or Vertical
Horizontal Beamwidth :	45°
Vertical Beamwidth:	38°
Nominal Impedance:	50 Ohms
F/B Ratio:	>16 dB
Max Input Power:	100 W
Lightning Protection:	DC Ground

## Mechanical Data

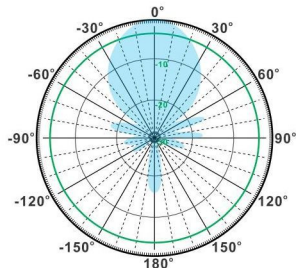
Connector :	N Male
Dimensions:	610mm/24.0in
Weight:	1.8kg/3.9lb
Cable Length:	300mm/11.8in
Reflector Material:	Aluminum Alloy
Antenna Material:	Stainless Steel
Mounting Method:	Mast
Mast Size:	Ø40-Ø50mm
Rated Wind Velocity:	210km/h
Operating temperature:	-40~+65°C

## Shipment Data

Packing Qty:	10pcs/Carton
Carton Size:	630*430*270mm
(length*width*height)	/24.8*16.9*10.6in
Packing Weight:	21kg/46.3lb

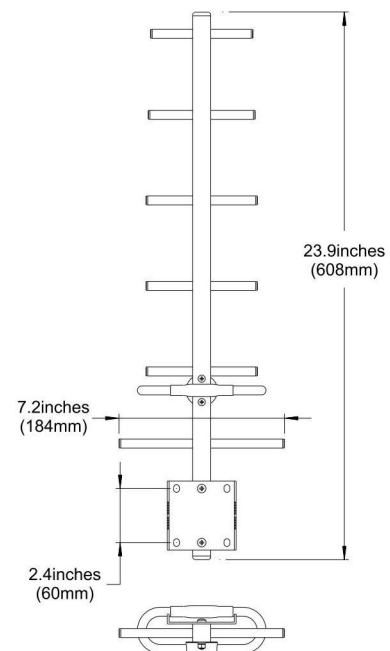
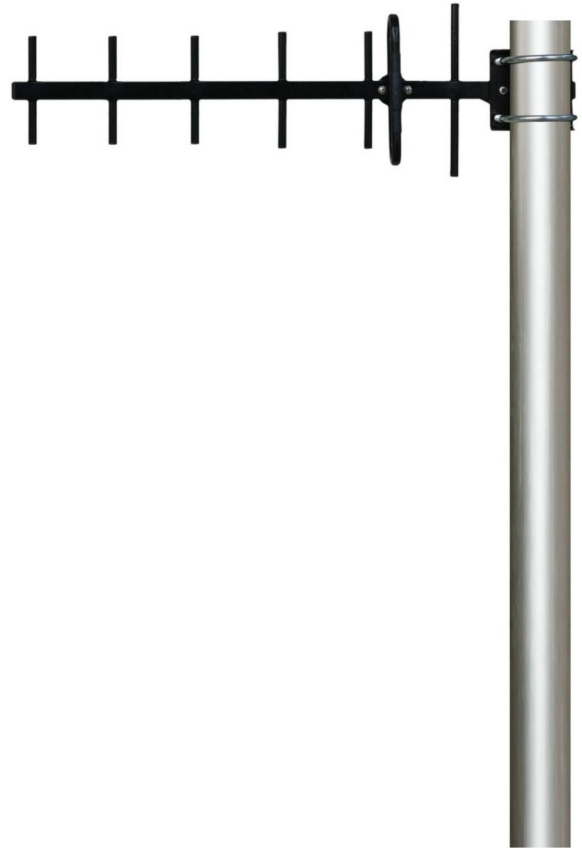


H-Plane



V-Plane

## YA890-960-12HV-7EW



Email: [sales@dmswireless.com](mailto:sales@dmswireless.com)  
[www.dmswireless.com](http://www.dmswireless.com)

Notice: Specifications are subject to change without notice.  
Images may not reflect the actual product.