

806-960 MHz 120° X-POL

Electrical Data

Frequency:	806-960 MHz
Gain:	13 dBi
VSWR:	<1.5:1
Polarization:	±45°
Horizontal Beamwidth:	120°
Vertical Beamwidth:	18°
Electrical downtilt:	0°
Sidelobe suppression :	>15dB
(First sidelobe above main beam)	
Front-to-back ratio :	>23dB
Isolation:	>30dB
Cross-polar ratio:	>15dB (±60°≥10)
Intermodulation IM3:	>-150dBc
(2×43dBm carrier)	
Impedance:	50 Ohms
Max Input Power:	100W
Lightning Protection:	DC Ground

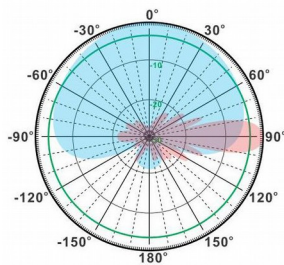
Mechanical Data

Connector :	2*N Female
Connector position:	Bottom
Dimensions:	1176*271*147mm
length*width*height	/46.3*10.7*5.8in
Weight:	7kg/15.4lb
Reflector Material:	Aluminum Alloy
Radome Material:	UV Resistance PVC
Mounting Method:	Mast
Mast Size:	Ø50-Ø90mm
Rated Wind Velocity:	210km/h
Operating temperature:	-40~+65°C

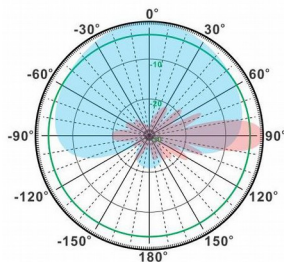
Shipment Data

Packing Qty:	1pc/Carton
Carton Size:	1580*330*220mm
(length*width*height)	/62.2*13.0*8.7in
Packing Weight:	14.6kg/32.2lb

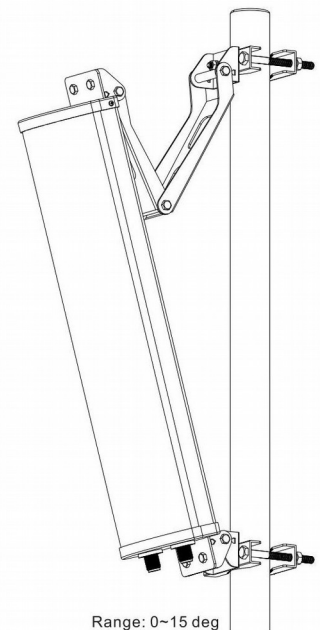
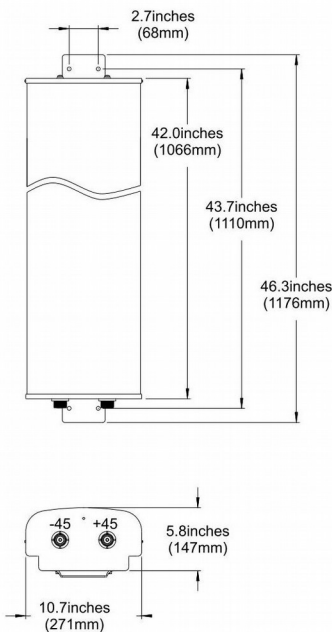
PA806-960-120-13X



H-Plane



V-Plane



Range: 0~15 deg