

DMS Wireless

806-960 MHz 120° X-POL

PA806-960-120-16X

Electrical Data

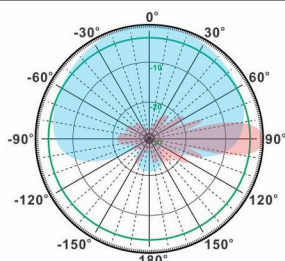
Frequency:	806-960 MHz
Gain:	16 dBi
VSWR:	<1.5:1
Polarization:	±45°
Horizontal Beamwidth:	120°
Vertical Beamwidth:	8°
Electrical downtilt:	0°
Sidelobe suppression :	>15dB
(First sidelobe above main beam)	
Front-to-back ratio :	>23dB
Isolation:	>30dB
Cross-polar ratio:	>15dB (±60°≥10)
Intermodulation IM3:	>-150dBc
(2×43dBm carrier)	
Impedance:	50 Ohms
Max Input Power:	100W
Lightning Protection:	DC Ground

Mechanical Data

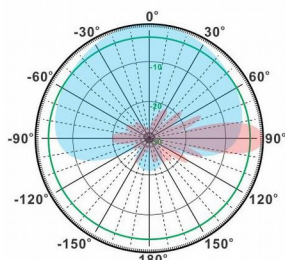
Connector :	2*N Female
Connector position:	Bottom
Dimensions:	2676.5*288*141 mm
length*width*height	/105.4*11.3*5.6 in
Weight:	13kg/28.6lb
Reflector Material:	Aluminum Alloy
Radome Material:	UV Resistance PVC
Mounting Method:	Mast
Mast Size:	Ø50-Ø90mm
Rated Wind Velocity:	210km/h
Operating temperature:	-40~+65°C

Shipment Data

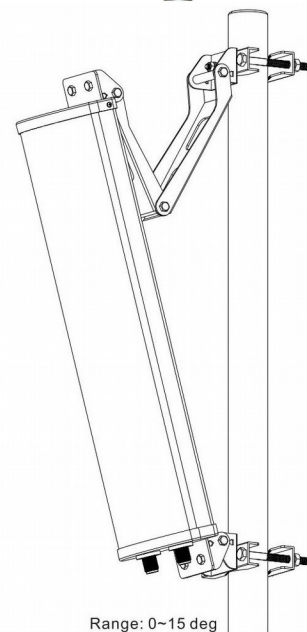
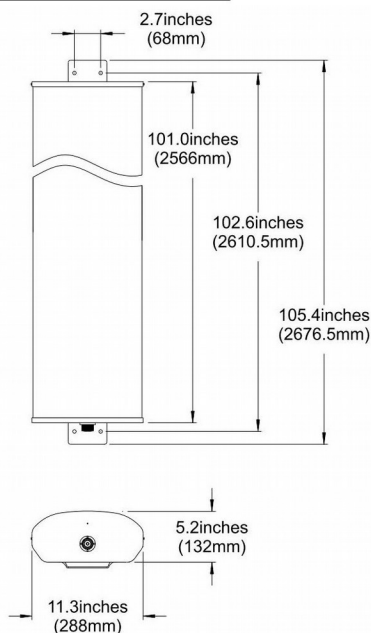
Packing Qty:	1pc/Carton
Carton Size:	3080*330*195mm
(length*width*height)	121.3*13.0*7.7 in
Packing Weight:	20.6kg/45.4lb



H-Plane



V-Plane



Range: 0~15 deg

Email: sales@dmswireless.com
www.dmswireless.com

Notice: Specifications are subject to change without notice.
 Images may not reflect the actual product.