

DMS Wireless

2400-2483 MHz 90° X-POL

Electrical Data

Frequency:	2400-2483 MHz
Gain:	17 dBi
VSWR:	<1.5:1
Polarization:	±45°
Horizontal Beamwidth:	90°
Vertical Beamwidth:	6.5°
Electrical downtilt:	0°
Sidelobe suppression :	>15dB
(First sidelobe above main beam)	
Front-to-back ratio :	>20dB
Isolation:	>30dB
Cross-polar ratio:	>15dB (±60°≥10)
Intermodulation IM3:	>-150dBc
(2×43dBm carrier)	
Impedance:	50 Ohms
Max Input Power:	100W
Lightning Protection:	DC Ground

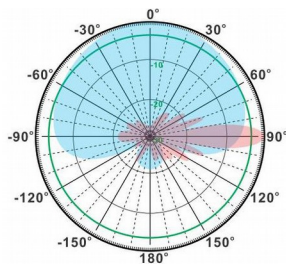
Mechanical Data

Connector :	2*N Female
Connector position:	Bottom
Dimensions:	1126*164*65mm
length*width*height	/44.3*6.5*2.6in
Weight:	4.5kg/9.91lb
Reflector Material:	Aluminum Alloy
Radome Material:	UV Resistance PVC
Mounting Method:	Mast
Mast Size:	Ø40-Ø70mm
Rated Wind Velocity:	210km/h
Operating temperature:	-40~+65℃

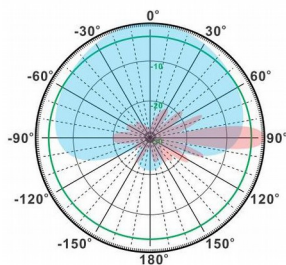
Shipment Data

Packing Qty:	1 pc/ Carton
Carton Size:	1390*200*110mm
(length*width*height)	/54.7*7.9*4.3in
Packing Weight:	4.8kg/10.8lb

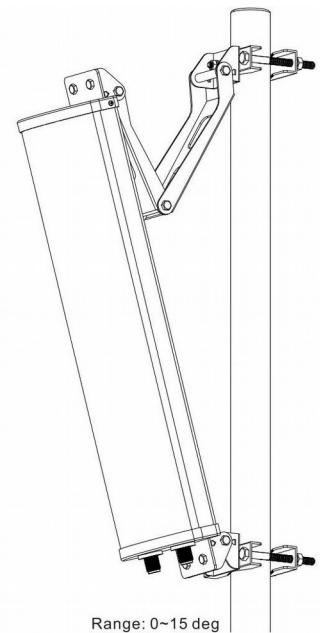
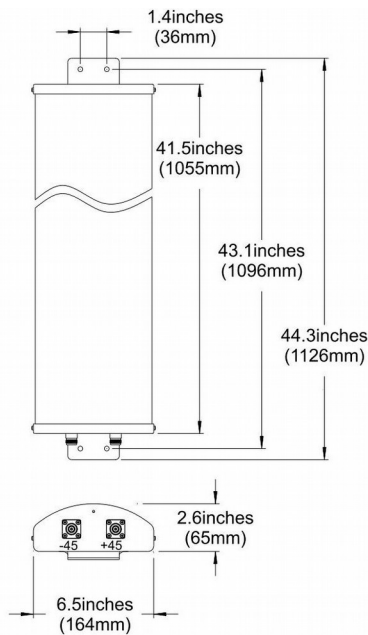
PA2400-2483-90-17X



H-Plane



V-Plane



Range: 0~15 deg

Email: sales@dmswireless.com
www.dmswireless.com

Notice: Specifications are subject to change without notice.
 Images may not reflect the actual product.