

DMS Wireless

5725-5850 MHz 65° V-POL

Electrical Data

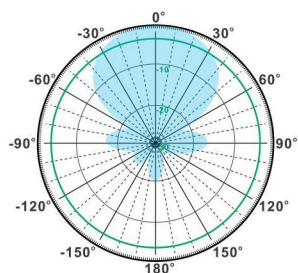
Frequency:	5725-5850 MHz
Gain:	10 dBi
VSWR:	<1.5:1
Polarization:	Vertical
Horizontal Beamwidth :	65°
Vertical Beamwidth:	48°
Nominal Impedance:	50 Ohms
F/B Ratio:	>20 dB
Max Input Power:	100 W
Lightning Protection:	DC Ground

Mechanical Data

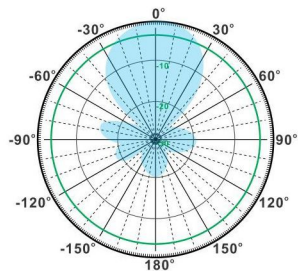
Connector :	N Female
Dimensions:	140*120*40mm
length*width*height	/5.52*4.73*1.58in
Weight:	0.6kg/1.32lb
Reflector Material:	Aluminum Alloy
Radome Material:	Weatherproof ABS
Mounting Method:	Mast
Mast Size:	Ø30-Ø50mm
Rated Wind Velocity:	210km/h
Operating temperature:	-40~+65°C

Shipment Data

Packing Qty:	20pcs/Carton
Carton Size:	645*260*515mm
(length*width*height)	/25.40*10.24*20.28in
Packing Weight:	13kg/28.6lb

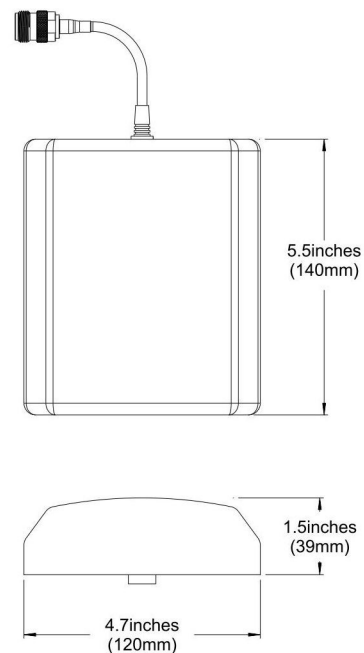


H-Plane



V-Plane

PA5725-5850-65-10V



Email: sales@dmswireless.com
www.dmswireless.com

Notice: Specifications are subject to change without notice.
Images may not reflect the actual product.